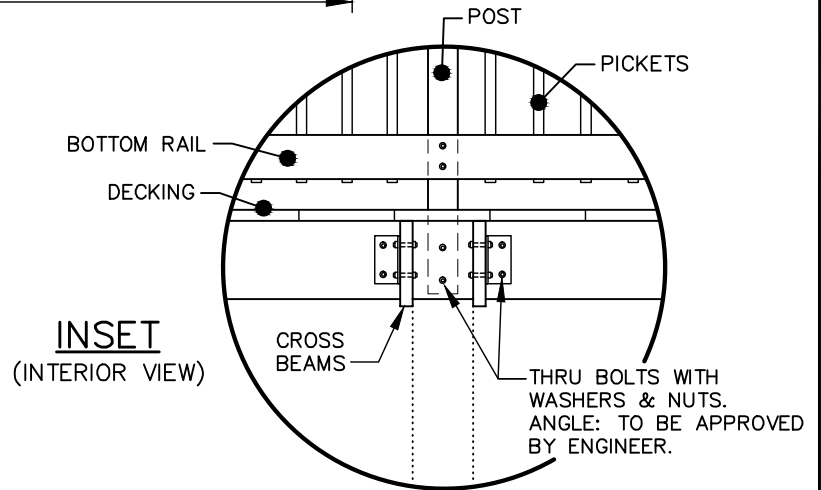


NOTE:
 INTERIOR SPANS ARE 8'-6" AND END SPANS ASSOCIATED WITH ABUTMENTS ARE 8'-2 1/4"

ELEVATION VIEW
 (FOR PLAN & SECTION VIEW
 SEE DETAIL 09000.15)



INSET
 (INTERIOR VIEW)

STANDARD BOARDWALK (ELEVATION VIEW)



EFFECTIVE: 12/10/09

DETAIL No.
 09000.14
 SHEET 1 OF 1