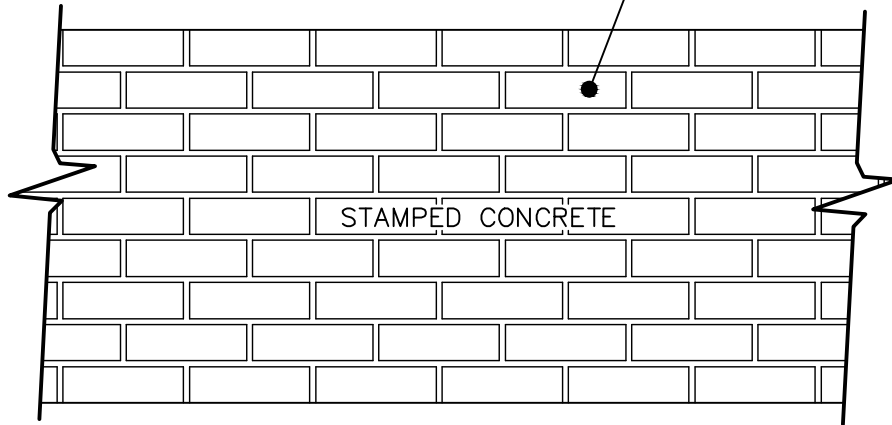
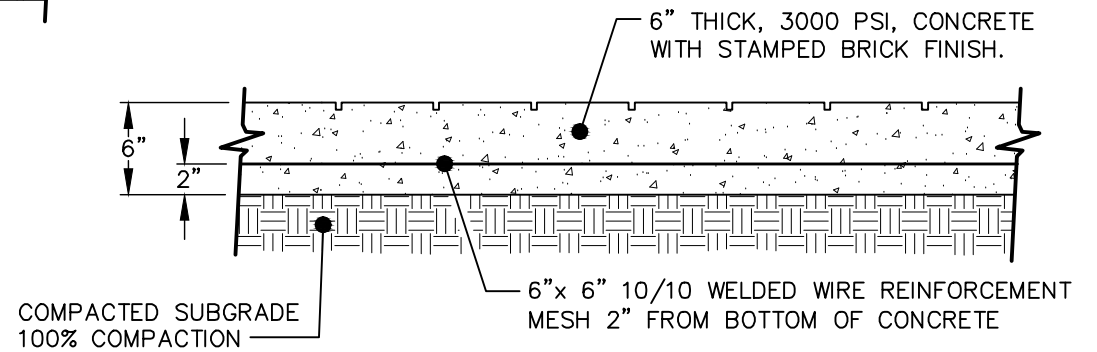


2" x 8" BOMACRON TEXTURED, RUNNING BOND BRICK PATTERN.  
USE BOMANITE, BRICK RED BC-1 CH-00040-60, COLOR HARDENER OR EQUAL PRODUCT.



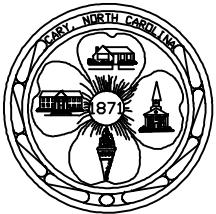
PLAN VIEW



SECTION VIEW

NOTES:

- 1) PROVIDE CONTROL JOINTS SPACED EVERY 10 FEET ON CENTER.
- 2) PROVIDE EXPANSION JOINTS AT ALL RIGID OBJECTS.



EFFECTIVE: 12/10/09

STANDARD STAMPED COLORED CONCRETE

DETAIL No.

09000.13  
SHEET 1 OF 1