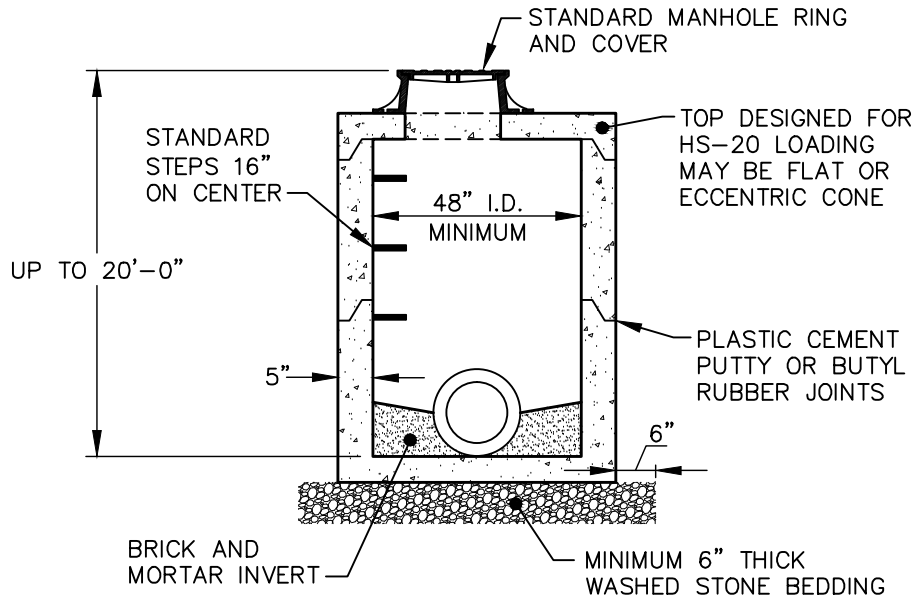
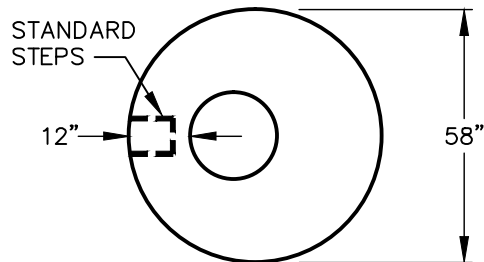


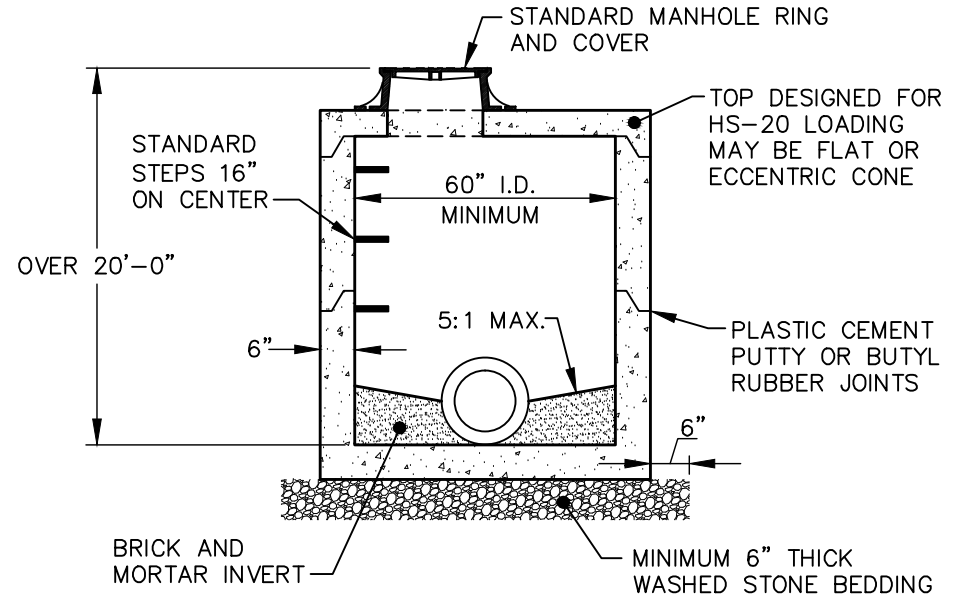
STANDARD TYPE
(UP TO 20 FEET IN DEPTH)



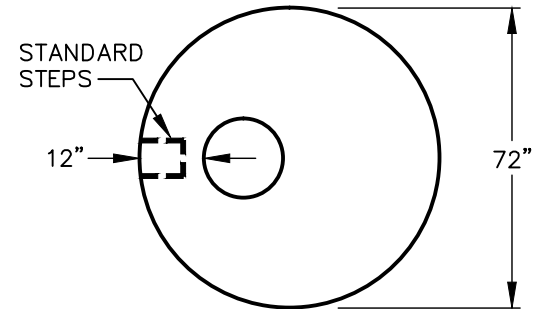
FLAT TOP DETAIL



DEEP TYPE
(OVER 20 FEET IN DEPTH)



FLAT TOP DETAIL



STANDARD PRECAST CONCRETE MANHOLE JUNCTION BOX

DETAIL No.

08000.05

SHEET 1 OF 1

EFFECTIVE: 12/10/09