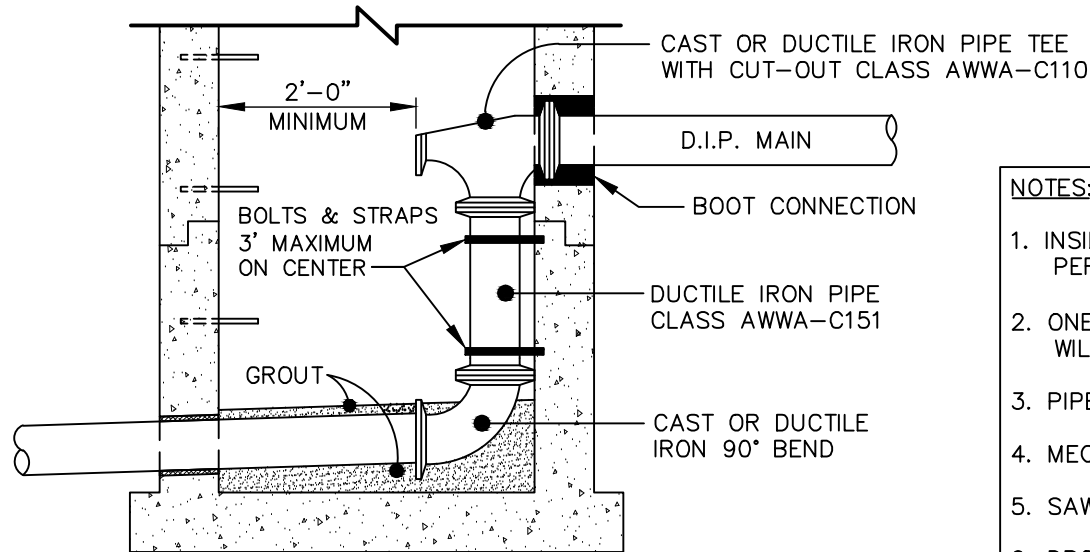


PLAN VIEW



SECTION

NOTES:

1. INSIDE DROP MANHOLES SHALL ONLY BE ALLOWED BY WRITTEN PERMISSION OF THE T.O.C. ENGINEERING DEPARTMENT.
2. ONE INSIDE DROP ALLOWED FOR 5' MANHOLE. A LARGER MANHOLE WILL BE REQUIRED FOR MORE.
3. PIPE SIZE FOR DROP TO EQUAL INFLOW SEWER PIPE SIZE.
4. MECHANICAL JOINT OR PUSH-ON FITTINGS, ALL BELL, TO BE USED.
5. SAW-CUT OR DRILL ALL HOLES FOR PIPE AND BOLTS.
6. DROP MANHOLE MANDATORY WHEN DIFFERENTIAL BETWEEN INVERTS IS GREATER THAN 20 INCHES.
7. STAINLESS STEEL STRAPS SHALL BE USED ON ALL DROPS GREATER THAN 5 FEET AT 18 INCH INTERVALS.



EFFECTIVE: 12/10/09

STANDARD INSIDE DROP MANHOLE

DETAIL No.

07000.07

SHEET 1 OF 1