

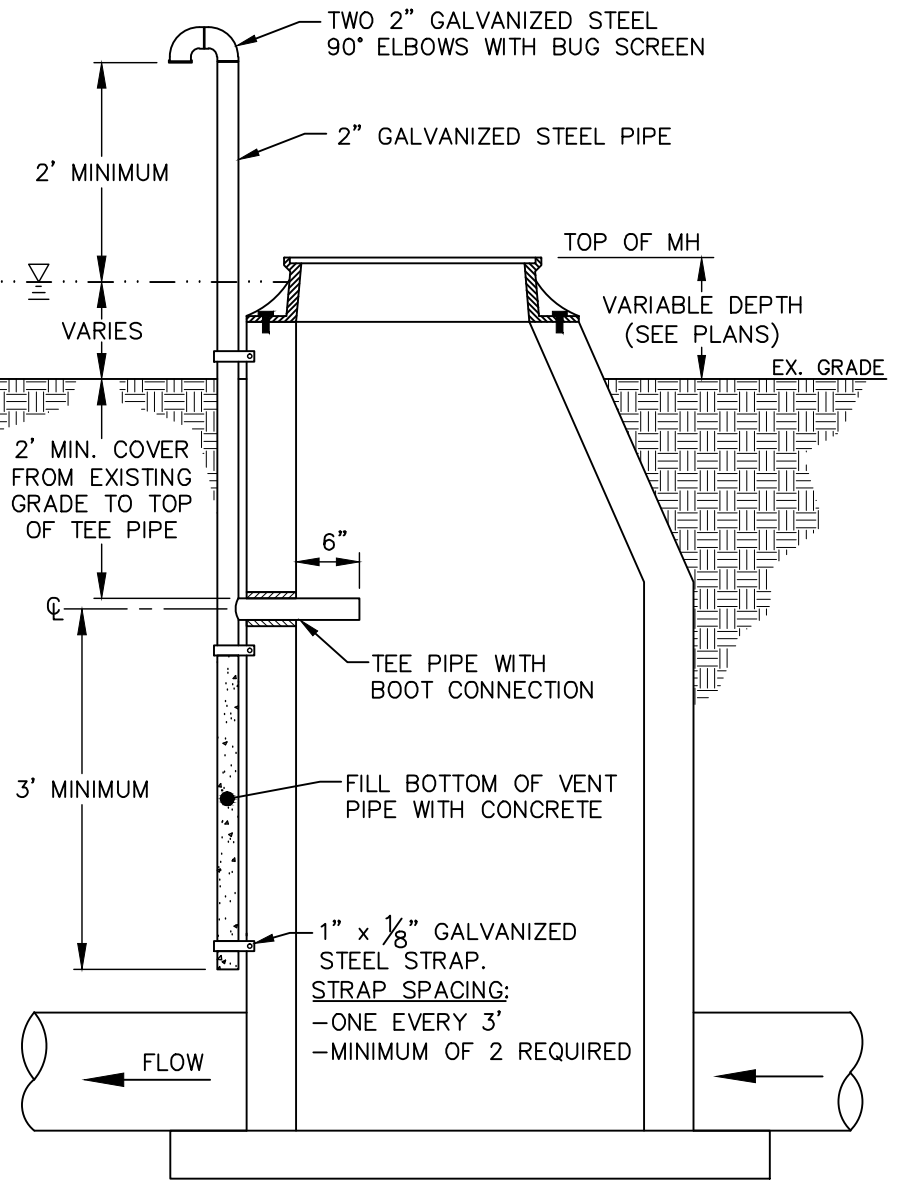
**PLAN VIEW**

**NOTES:**

1. VENT PIPE OPENING IN PRECAST CONCRETE MANHOLE WALL SHALL BE CORED WITH A CONCRETE CORING MACHINE.
2. LOCATION OF VENT PIPE SHALL BE AS DIRECTED BY THE CONSTRUCTION INSPECTOR WITH WATERTIGHT RING AND COVER VENT TOP TO BE ELEVATED AT LEAST 24 INCHES ABOVE THE 100 YEAR FLOOD PLAIN ELEVATION.

100-YEAR FLOOD ELEVATION

EXISTING GRADE



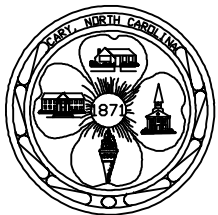
**ELEVATION VIEW**

**STANDARD MANHOLE VENT**

DETAIL No.

07000.04

SHEET 1 OF 2



EFFECTIVE: 12/10/09