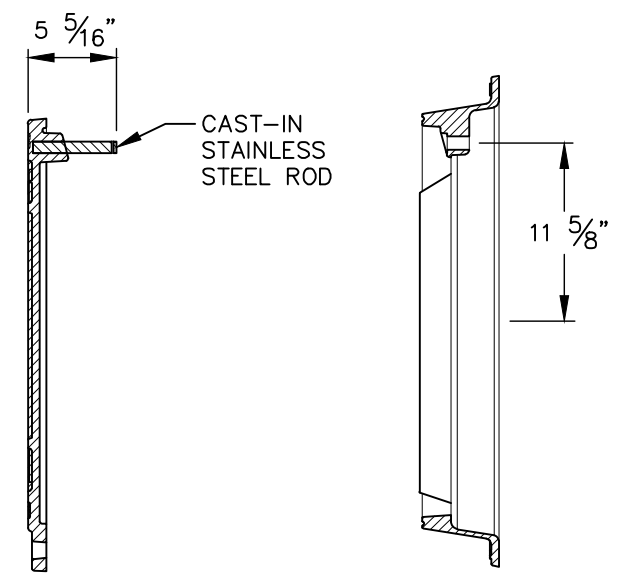


COVER TOP VIEW

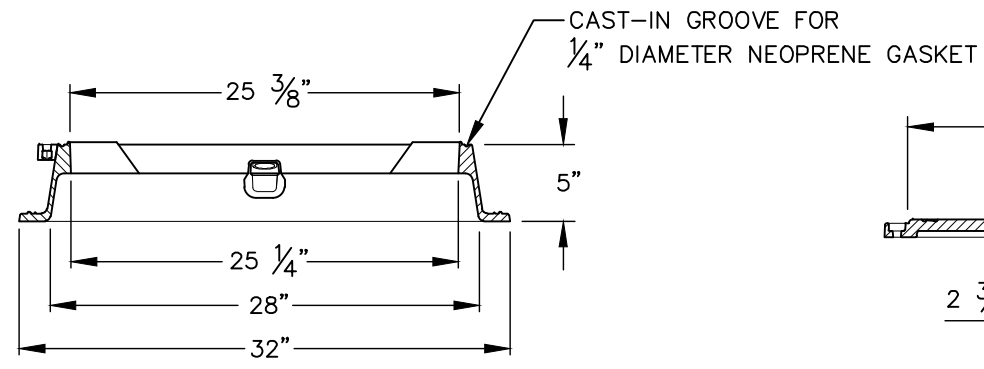
**SPECIFICATIONS:**

1. GRAY IRON.
2. COMPLIES WITH ASTM A48 CL35B.
3. ALL LETTERING SHALL BE CLEAN, CRISP, AND CLEARLY LEGIBLE.
4. DOMESTICALLY MADE AND MANUFACTURED IN THE USA.

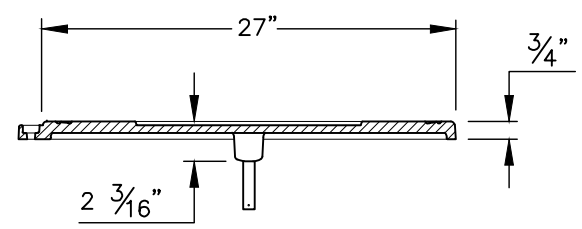


COVER SECTION B-B

FRAME SECTION B-B



FRAME SECTION A-A



COVER SECTION A-A



**STANDARD MANHOLE RING AND COVER (TYPE 2A FOR  
OUTFALLS OR UNPAVED AREAS - WATERTIGHT APPLICATIONS)**

DETAIL No.  
07000.03  
SHEET 2 OF 4