

COVER FOR SANITARY
SEWER IN PAVED AREAS

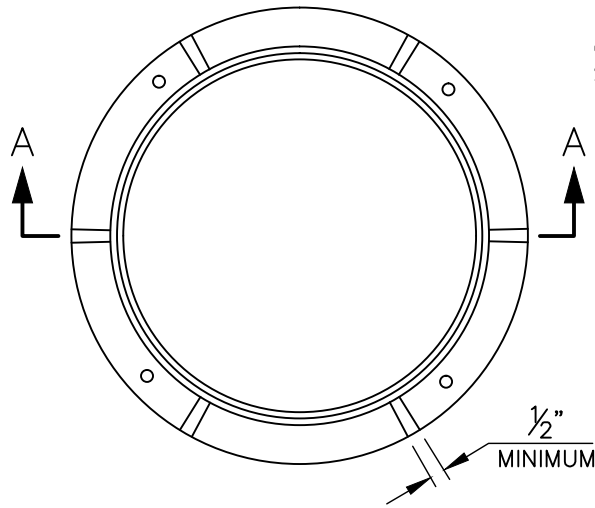
1 1/4" RAISED LETTERING
(RECESSED FLUSH)

ALL FILLETS
@ R 1/4"

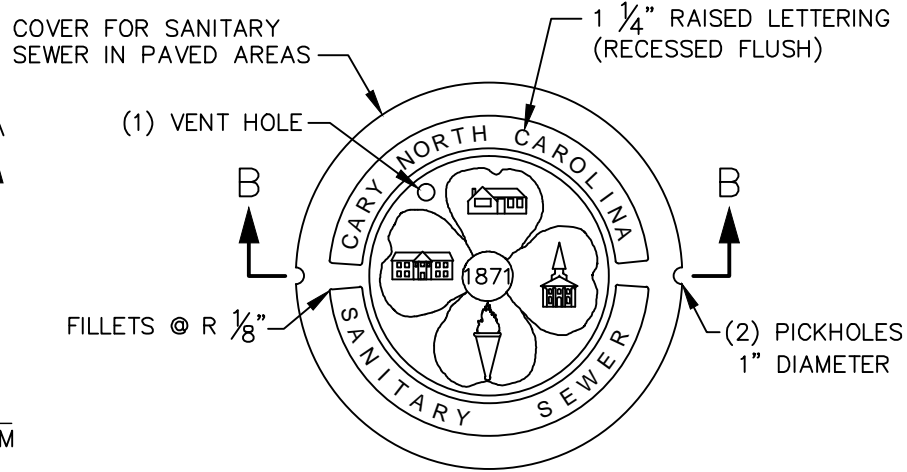
(1) VENT HOLE

FILLETS @ R 1/8"

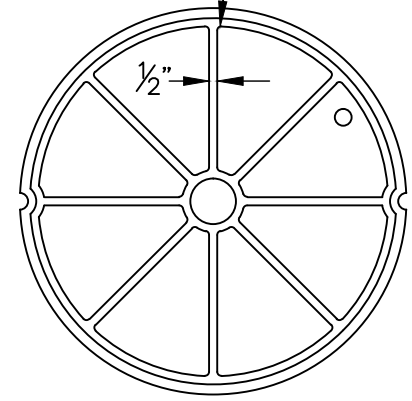
(2) PICKHOLES
1" DIAMETER



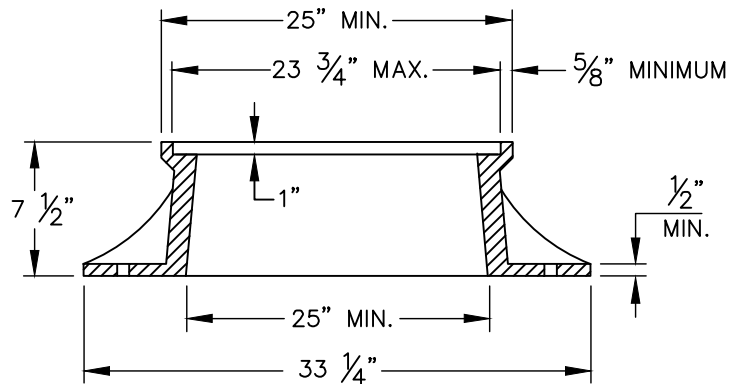
RING TOP VIEW



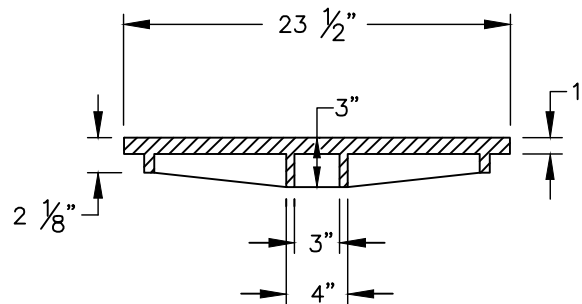
COVER TOP VIEW



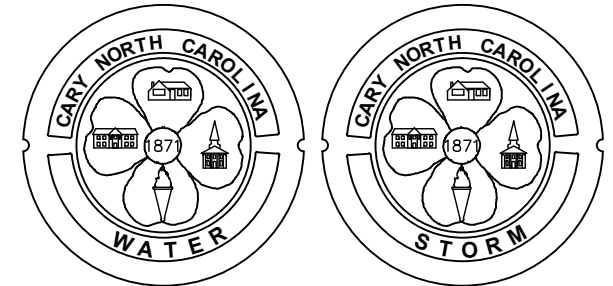
COVER BOTTOM VIEW



SECTION "A-A"



SECTION "B-B"



ALTERNATE LETTERING

SPECIFICATIONS:

1. CLASS 35 GRAY IRON.
2. COMPLIES WITH ASTM A48 CL35B.
3. ALL LETTERING SHALL BE CLEAN, CRISP, AND CLEARLY LEGIBLE.
4. DOMESTICALLY MADE & MANUFACTURED IN THE USA.

MINIMUM WEIGHTS

RING	190
COVER	120
TOTAL	310

**STANDARD MANHOLE RING AND COVER
(TYPE 1 PAVED AREAS)**

DETAIL No.

07000.03

SHEET 1 OF 4



EFFECTIVE: 12/10/09