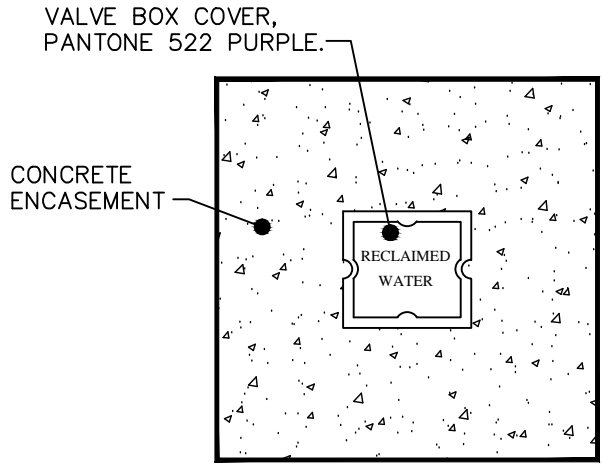
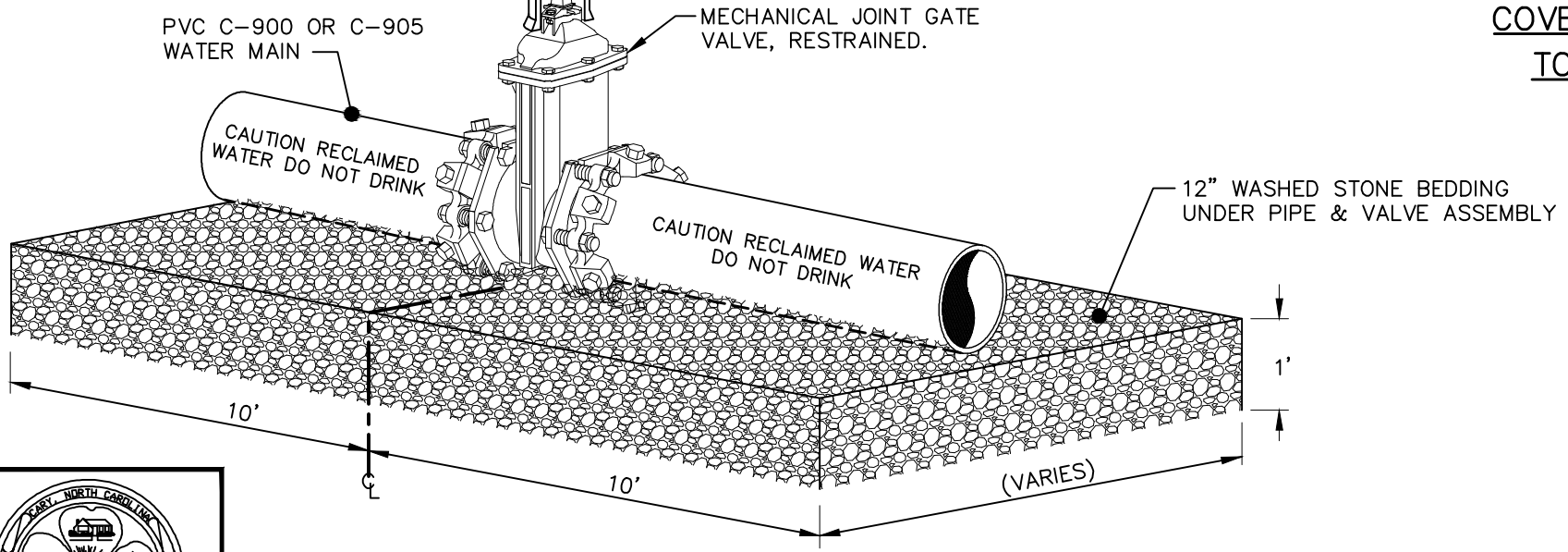


NOTE:
 VALVE OPERATOR EXTENSION SHALL BE INSTALLED IN ALL CASES WHERE THE VALVE OPERATOR IS GREATER THAN 8-FT DEPTH FROM THE SURFACE.



**COVER DETAIL
 TOP VIEW**



RECLAIMED WATER GATE VALVE ASSEMBLY

DETAIL No.
 06500.07
 SHEET 1 OF 1