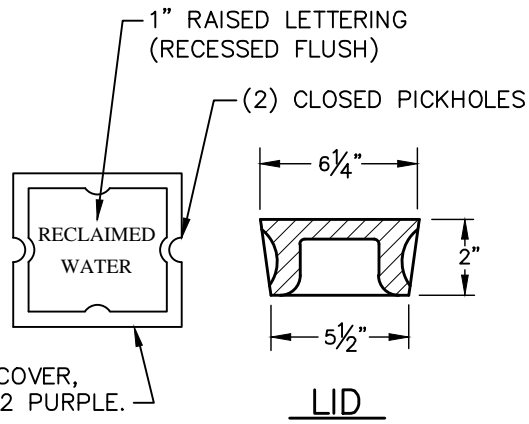
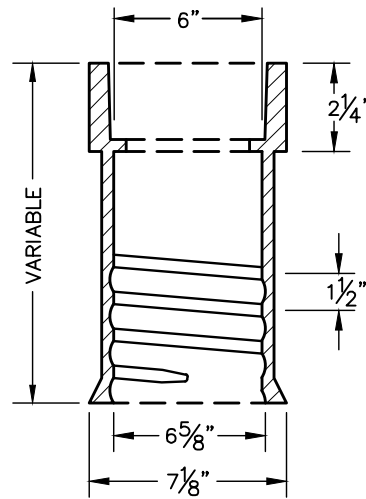


BOTTOM SECTION



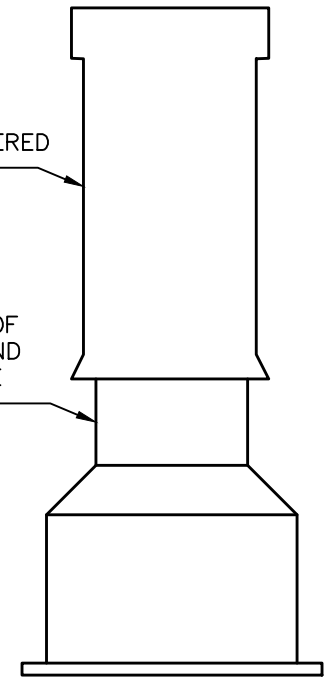
LID



SQUARE UPPER SECTION

BOX SHALL BE CENTERED
OVER VALVE

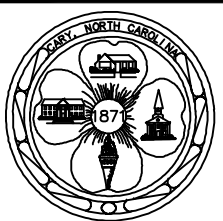
ALL PARTS SHALL BE OF
THE SAME MATERIAL AND
SUPPLIED BY THE SAME
MANUFACTURER



COMPLETE BOX

NOTES:

- 1) VALVE BOX COVER SHALL WEIGH A MINIMUM 13 lbs.
- 2) ENTIRE VALVE BOX ASSEMBLY & COVER SHALL BE CAST FROM CLASS 35 GRAY IRON.
- 3) ASSEMBLY SHALL BE DOMESTICALLY MADE AND MANUFACTURED IN THE U.S.A.
- 4) ASSEMBLY OTHER THAN COVER SHALL BE PAINTED BLACK.



EFFECTIVE: 12/10/09

**STANDARD VALVE BOX
(FOR RECLAIMED WATER)**

DETAIL No.

06500.06
SHEET 2 OF 2