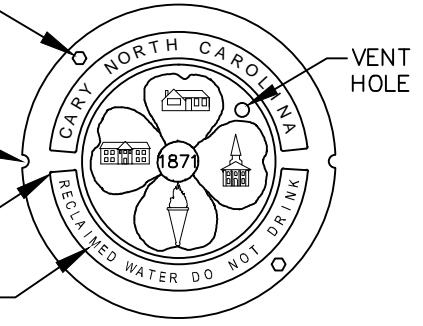


(2) 1/2" x 1 3/4" HEX HEAD, STAINLESS STEEL BOLTS AND WASHERS AT 180° COUNTERSUNK. BOLTS & WASHERS TO BE TYPE 316 STAINLESS STEEL.

(2) OPEN PICKHOLES  
1" DIAMETER

FILLETS @ R 1/8"

1/4" RAISED LETTERING  
(RECESSED FLUSH)



**COVER TOP VIEW**

- RING & COVER SPECIFICATIONS:**
1. CLASS 35 GREY IRON.
  2. COMPLIES WITH ASTM A48 CL35B.
  3. MANHOLE COVER TO BE PAINTED PANTONE 522 PURPLE, AT MINIMUM 10-mils.
  4. ALL LETTERING SHALL BE CLEAN, CRISP, AND CLEARLY LEGIBLE.
  5. DOMESTICALLY MADE & MANUFACTURED IN THE USA.

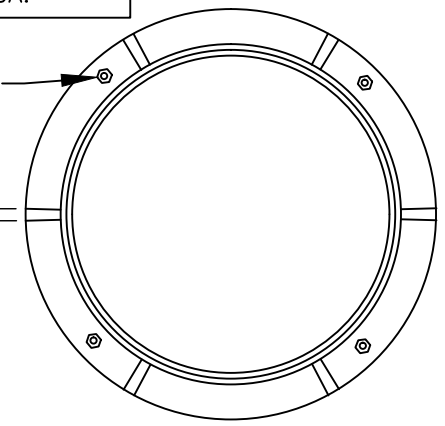
MINIMUM WEIGHTS	
RING	180
COVER	120
<b>TOTAL</b>	<b>300</b>

**NOTES:**

1. TAP SIZE AND ISOLATION VALVE TO BE SAME SIZE AS AIR VALVE.
2. ALL PIPING AND FITTINGS, IN THE MANHOLE, SHALL BE BRASS OR BRONZE UNLESS OTHERWISE NOTED.
3. MANHOLE STEPS SHALL BE PLACED 16" O.C. AS SHOWN BY DETAIL 07000.02.
4. CONCENTRIC CONES MAY BE USED FOR AIR VALVE MANHOLES LESS THAN 5' IN DEPTH.
5. INSIDE OF MANHOLE TO BE PAINTED PANTONE 522 PURPLE WITH THE WORDS, **CAUTION RECLAIMED WATER DO NOT DRINK**, STENCILED ON TWO SIDES.

FOUR ANCHOR BOLTS

1/2" MINIMUM



**RING TOP VIEW**

EFFECTIVE: 12/10/09

**STANDARD COMBINATION AIR VALVE MANHOLE  
(FOR RECLAIMED WATER)**

DETAIL No.  
**06500.05**  
SHEET 1 OF 1