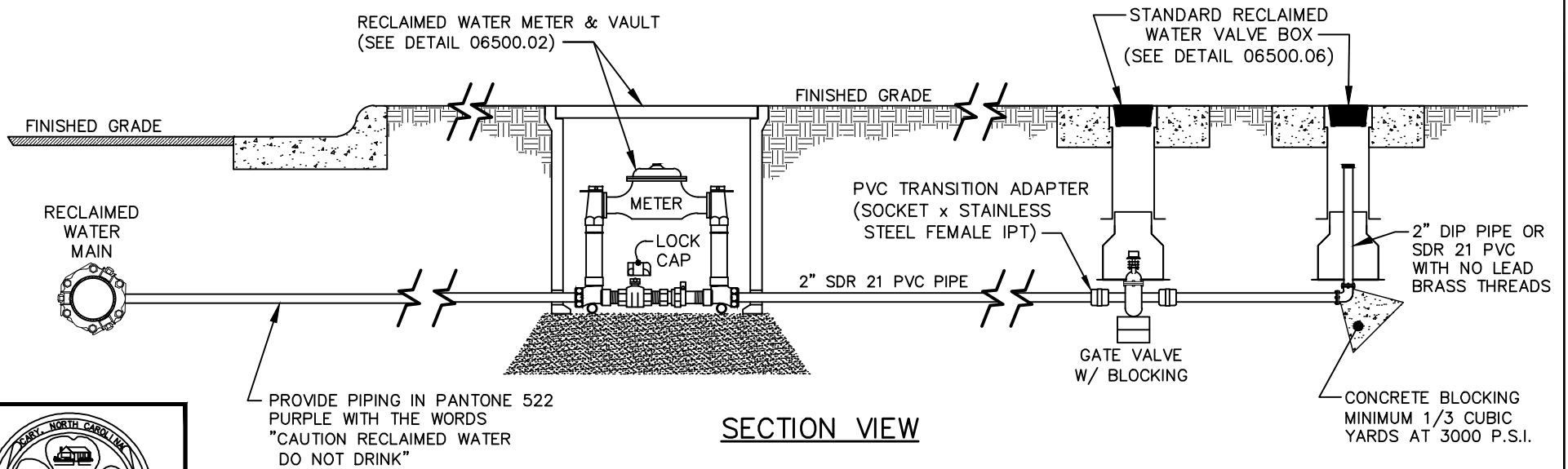


PLAN VIEW



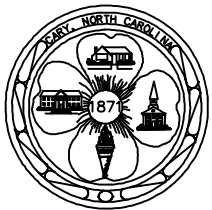
SECTION VIEW

**STANDARD RECLAIMED WATER BLOW-OFF ASSEMBLY, TYPE 1  
(SURFACE DISCHARGE)**

DETAIL No.

06500.04

SHEET 2 OF 4



EFFECTIVE: 07/01/13