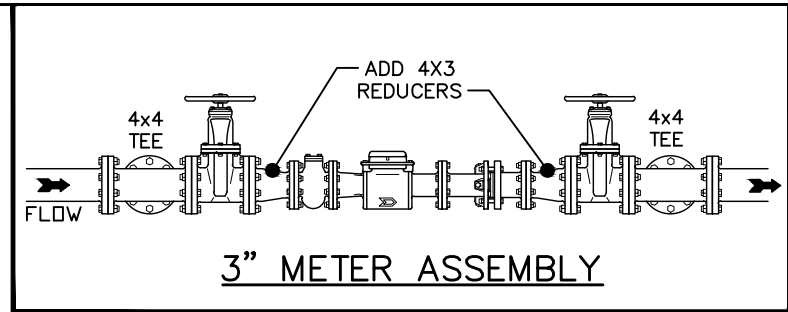
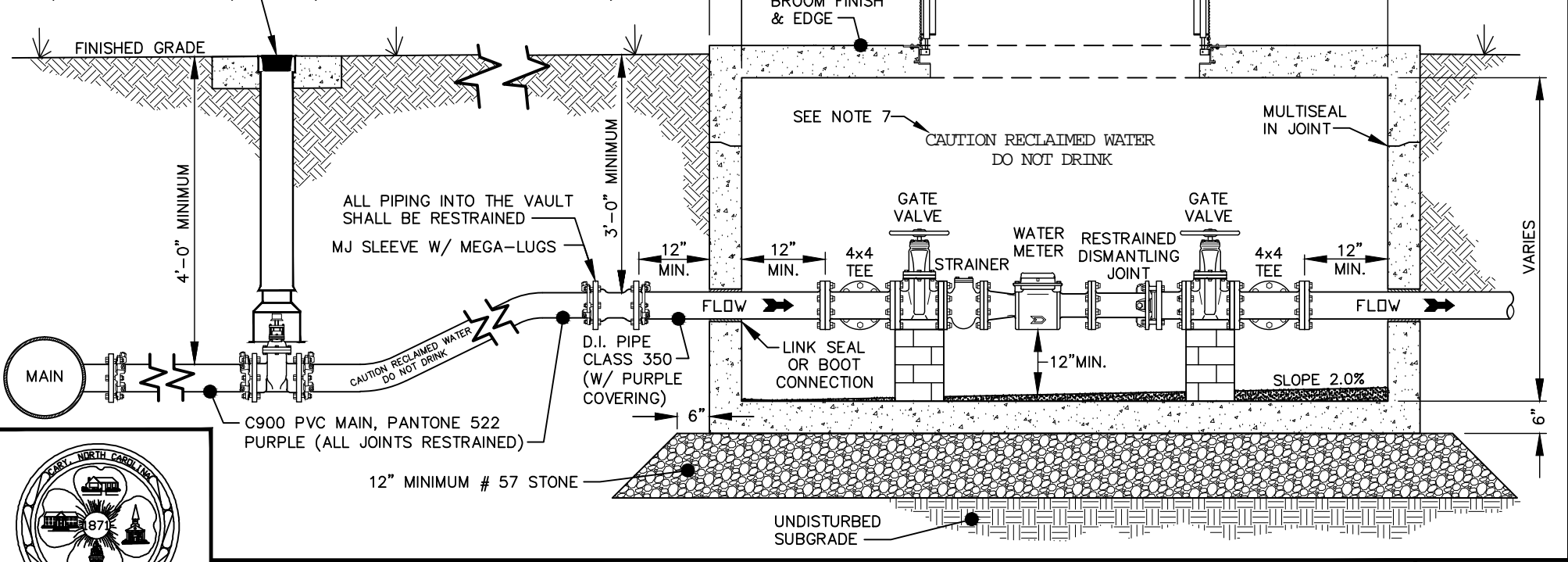


GENERAL NOTES:

- 1) METER AND BYPASS ASSEMBLY PIPING INSIDE THE VAULT SHALL BE FLANGED DUCTILE IRON PIPE.
- 2) METER FACE TO BE AT LEAST 3 FEET BELOW FINISHED GRADE.
- 3) ACCESS DOOR SHALL BE ALUMINUM DOUBLE DOOR WITH A MINIMUM OPENING OF 48" x 48" (INCHES).
- 4) THE VISIBLE SIDE OF THE ACCESS DOORS SHALL BE PAINTED PANTONE 522 PURPLE.
- 5) VALVES SHALL BE IRON BODY, RESILIENT WEDGE GATE VALVES, WITH NON-RISING STEM, HANDWHEEL OPERATORS AND FLANGE CONNECTIONS.
- 6) ALL DUCTILE IRON PIPE, FITTINGS, AND VALVES SHALL BE PAINTED PANTONE 522 PURPLE TO DENOTE RECLAIMED WATER.
- 7) THE INSIDE OF THE VAULT SHALL BE PAINTED PURPLE AND THE WORDS, "CAUTION RECLAIMED WATER DO NOT DRINK" SHALL BE STENCILED ON BOTH SIDES OF THE VAULT IN A CENTRAL LOCATION VISIBLE ABOVE GROUND FROM THE ACCESS DOORS.
- 8) PIPE STANDS MADE OF BRICK, BLOCK, PRECAST CONCRETE, OR MANUFACTURED PIPE STANDS ARE ALLOWABLE.
- 9) PIPE ENTRY AND EXIT TO VAULT SHALL BE SEALED WITH BOOT CONNECTIONS OR LINK SEAL.
- 10) DOUBLE DOORS SHALL BE LOCKABLE WITH OWNER-SUPPLIED PADLOCK.



SECTION VIEW
(SEE SHEET 4 OF 5 FOR PLAN VIEW)



EFFECTIVE: 12/10/09

STANDARD RECLAIMED WATER 3" OR 4" METER INSTALLATION & VAULT

DETAIL No.
06500.02
SHEET 3 OF 5