

**NOTES:**

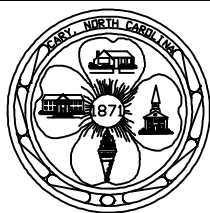
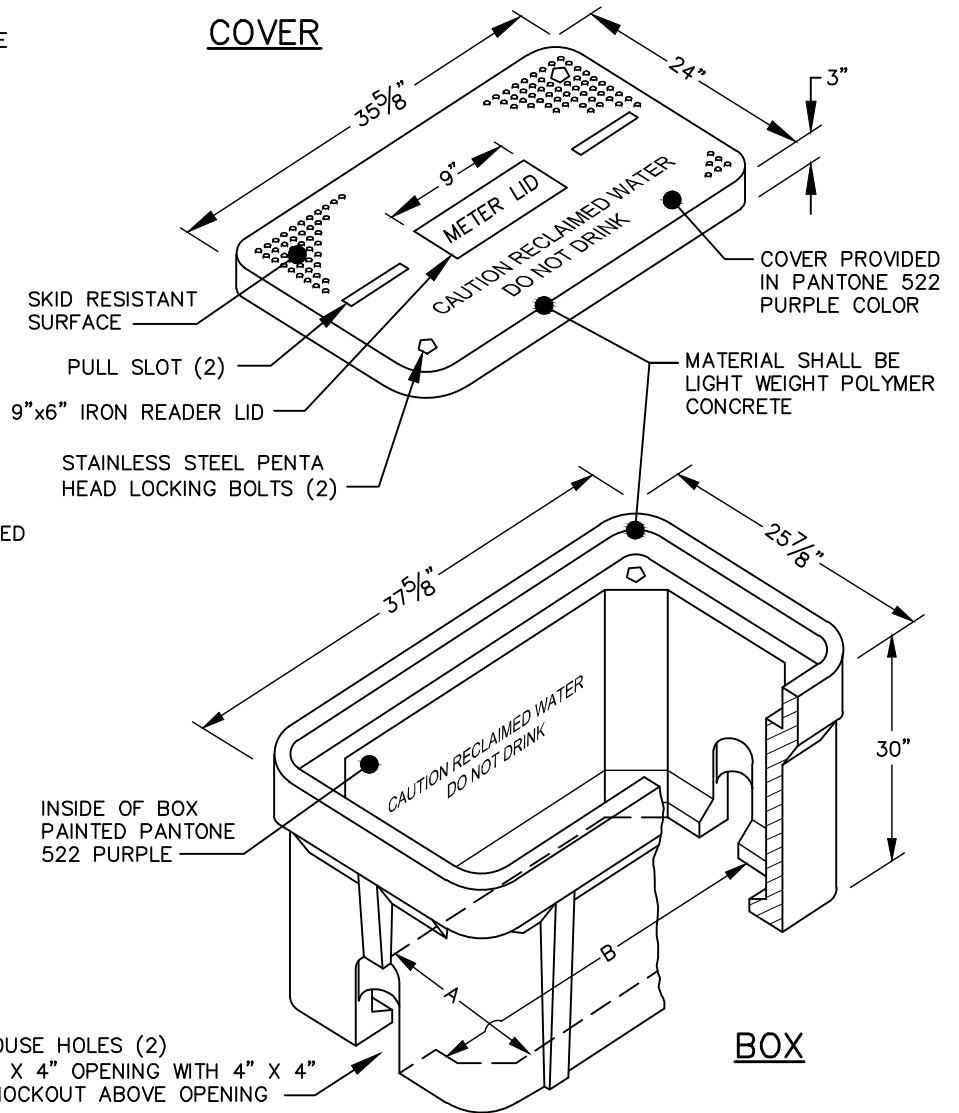
- 1) CUSTOM SETTER PIPING TO BE NO LEAD BRASS & COPPER TUBING AND SHALL BE EQUIPPED W/ANGLED CHECK VALVE OUTLETS & BY-PASS FLANGED VALVE OR BY-PASS FLANGED BALL VALVE INLETS.
- 2) PRECAST CONCRETE BOX WITH ALUMINUM ACCESS HATCH WILL BE AN ACCEPTABLE ALTERNATIVE WITH APPROVAL OF THE DIRECTOR OF ENGINEERING.
- 3) THE INTERIOR OF THE BOX SHALL BE STENCILED WITH THE WORDS, **CAUTION RECLAIMED WATER - DO NOT DRINK.**
- 4) METER BOX LID SHALL BE SECURED TO METER YOLK WITH CABLE TETHER.
- 5) LOCATE METER REGISTER 5 TO 8 INCHES BELOW COVER.
- 6) ALL BRASS COMPONENTS SHALL BE 'NO LEAD' BRASS MEETING UNS C89833 AS PER ASTM B584.

**NOTE:**

TO ENSURE POSITIVE DRAINAGE, THE VAULT SHALL HAVE AN OPEN BOTTOM TO ALLOW DRAINAGE THROUGH STONE.

**DIMENSIONS (INCHES)**

A	B
18 3/8"	30 1/8"



EFFECTIVE: 07/01/13

**STANDARD 1 1/2" & 2" RECLAIMED WATER METER INSTALLATION & VAULT**

DETAIL No.

06500.02

SHEET 2 OF 5