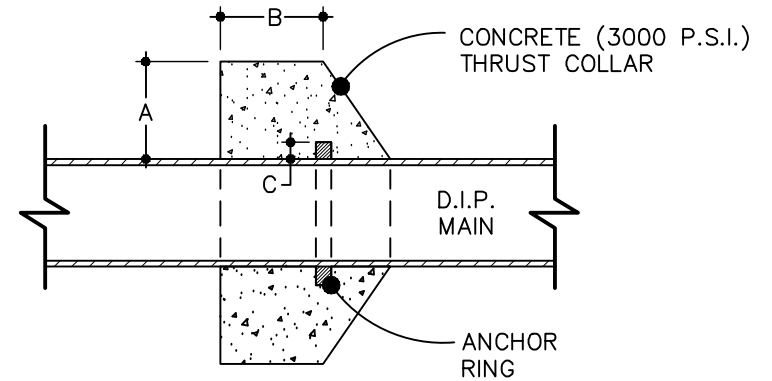
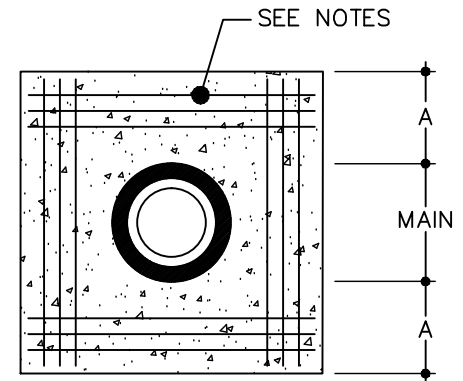


PLAN VIEW



SECTION VIEW

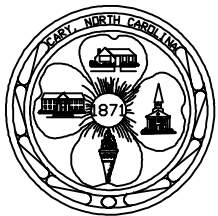


REINFORCING
CROSS SECTION

NOTES:

6" TO 16" MAINS = 12-NO. 7 BARS
 20" TO 36" MAINS = 12-NO. 8 BARS
 BARS PLACED AS SHOWN

SCHEDULE				
PIPE DIAMETER	CONCRETE THRUST COLLAR		ANCHOR RING	RINGS REQUIRED
	A	B	C	
6", 8", 12"	1'-0"	1'-0"	2"	ONE
16"	1'-4"	1'-0"	2"	ONE
20"	1'-4"	1'-0"	3"	ONE
24"	1'-4"	1'-0"	3"	TWO
30"	1'-4"	1'-2"	4"	TWO
36"	1'-4"	1'-4"	4"	TWO



EFFECTIVE: 12/10/09

STANDARD THRUST COLLAR INSTALLATION

DETAIL No.

06000.14
 SHEET 1 OF 1