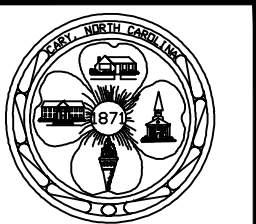
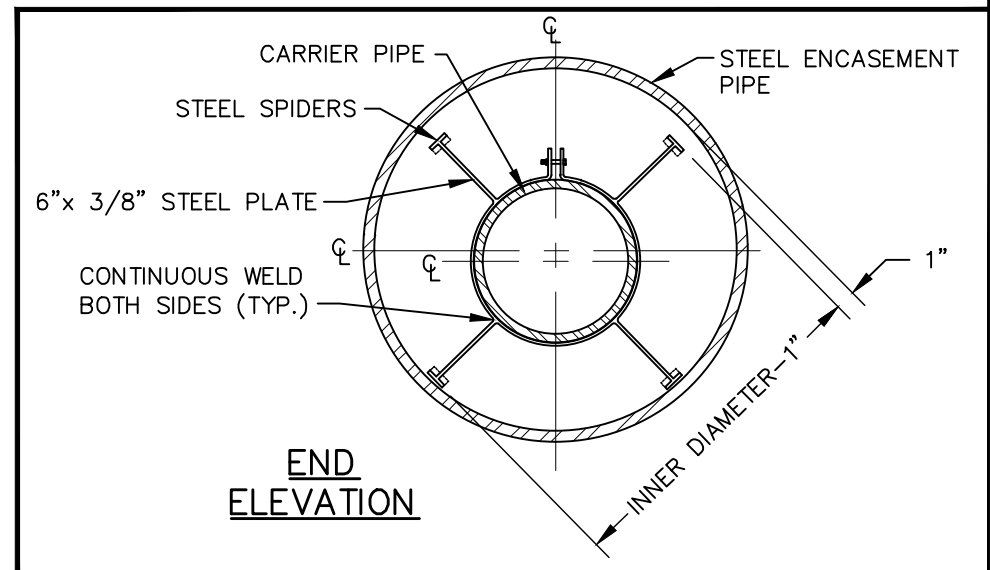


**NOTES:**

1. STEEL "SPIDERS" SHALL BE USED FOR SUPPORT OF THE CARRIER PIPE WITHIN THE CASING PIPE.
2. A MINIMUM SPACING OF 2 SPIDERS PER JOINT OF CARRIER PIPE SHALL BE REQUIRED.
3. THE SPIDERS SHALL BE SPACED EVENLY ALONG THE CARRIER PIPE SUCH THAT EACH SPIDER SUPPORTS THE SAME UNIT WEIGHT OF THE CARRIER MAIN.
4. FOR CASING SIZE SEE STANDARD SPECIFICATION SECTION 05000.
5. RECLAIMED LINE SHALL BE PVC WITH RESTRAINED JOINT PIPE.



EFFECTIVE: 12/10/09

**STEEL ENCASEMENT & CARRIER PIPE**

DETAIL No.

05000.02  
SHEET 1 OF 1