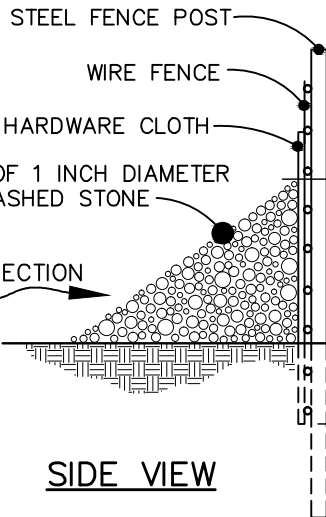
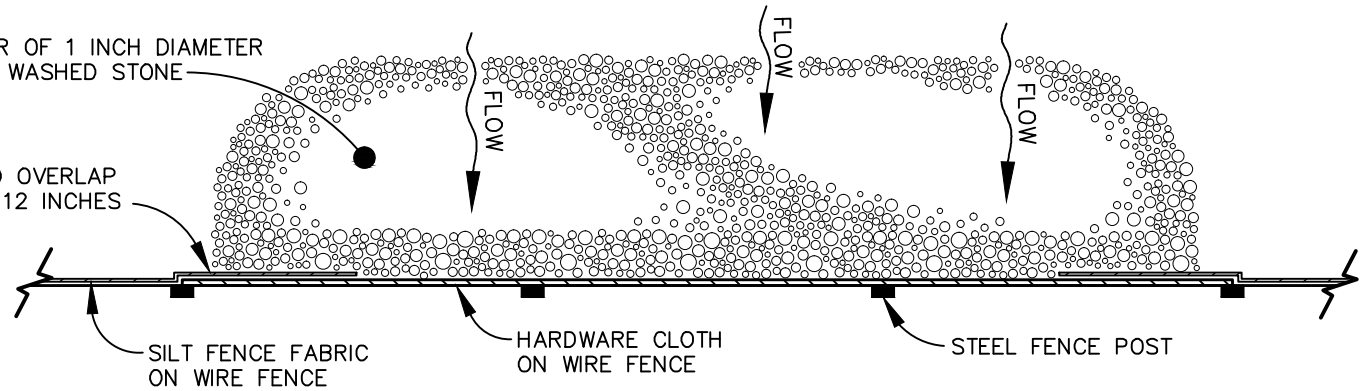


FILTER OF 1 INCH DIAMETER
57 WASHED STONE

NOTE:
SILT FENCE FABRIC TO OVERLAP
HARDWARE CLOTH BY 12 INCHES

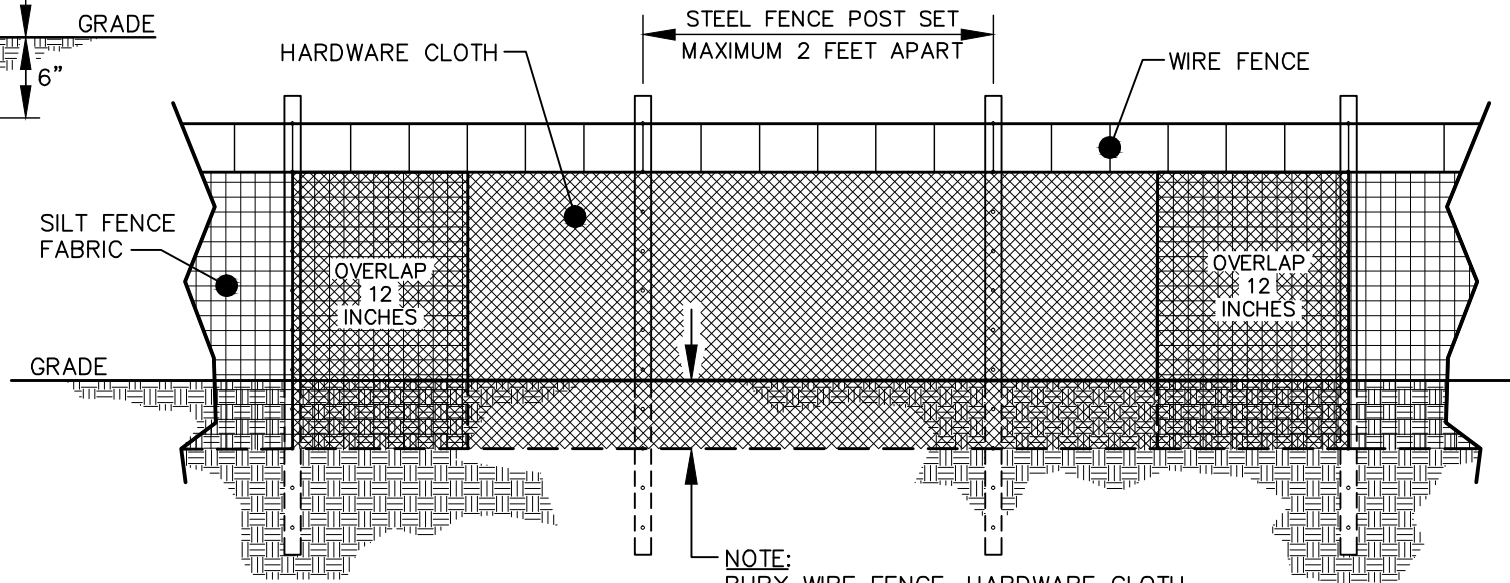


SIDE VIEW



PLAN VIEW

NOTE:
USE SILT FENCE OUTLETS ONLY WHEN
DRAINAGE AREA DOES NOT EXCEED 1/4
ACRE AND THERE IS A LOW AREA. USE
AS A REPAIR OF SILT FENCE FAILURES.



FRONT VIEW

NOTE:
BURY WIRE FENCE, HARDWARE CLOTH,
AND SILT FENCE FABRIC 6 INCHES INTO
THE TRENCH

STANDARD SILT FENCE OUTLET



EFFECTIVE: 12/10/09

DETAIL No.

04000.23

SHEET 1 OF 1