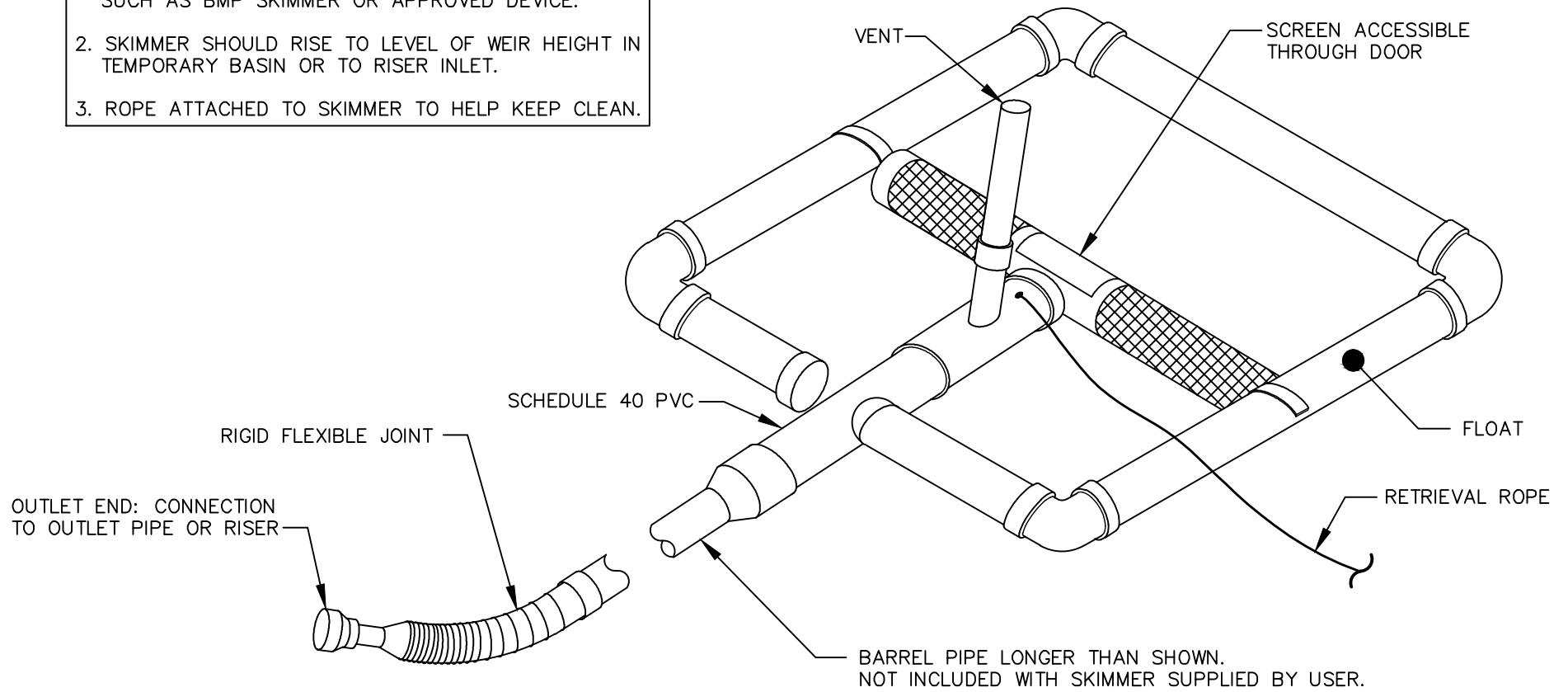


NOTES:

1. SKIMMER IS TO BE A SURFACE DEWATERING DEVICE SUCH AS BMP SKIMMER OR APPROVED DEVICE.
2. SKIMMER SHOULD RISE TO LEVEL OF WEIR HEIGHT IN TEMPORARY BASIN OR TO RISER INLET.
3. ROPE ATTACHED TO SKIMMER TO HELP KEEP CLEAN.



EFFECTIVE: 12/10/09

STANDARD SKIMMER DETAIL

DETAIL No.

04000.18

SHEET 1 OF 1