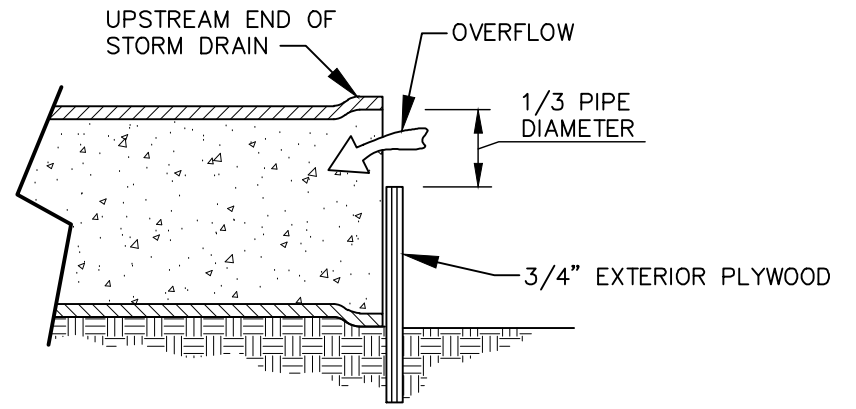
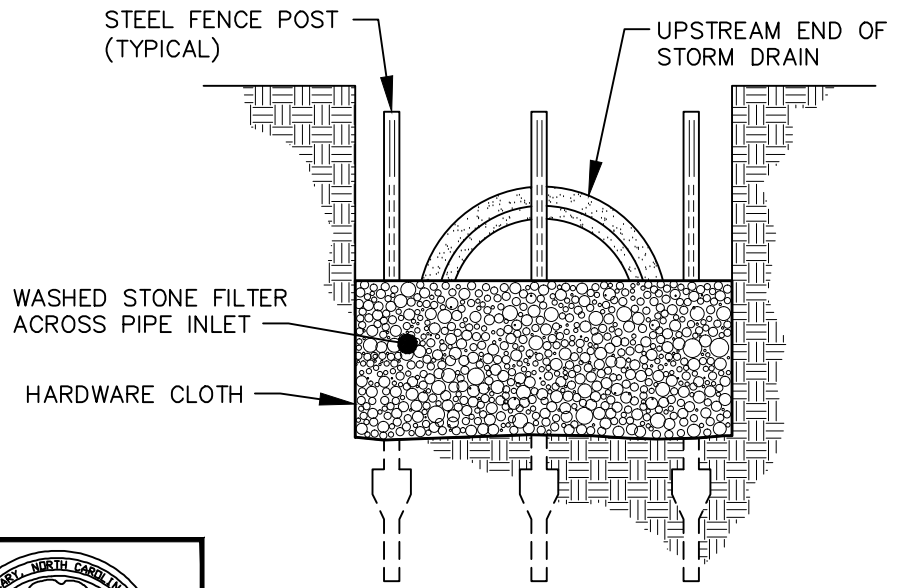


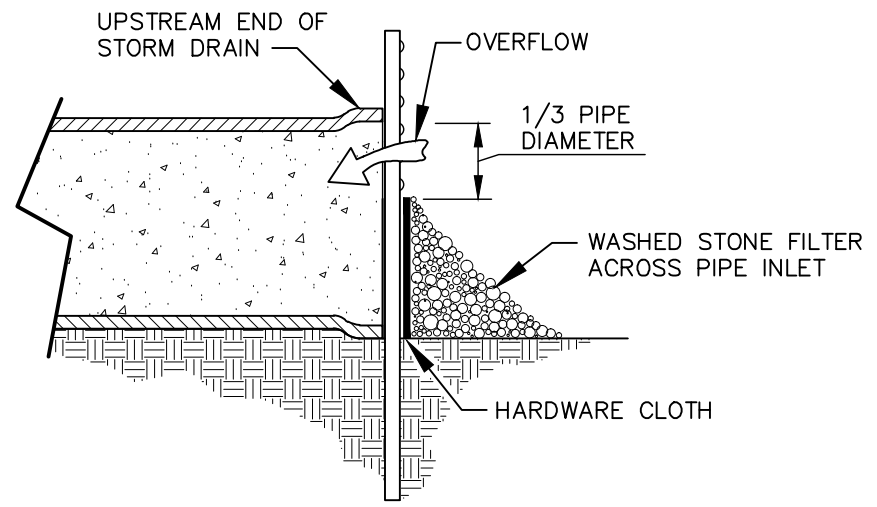
**PLYWOOD INLET PROTECTION**



**NOTE:**  
ALL PARTIALLY COMPLETED STORM DRAINS, UP TO 24" PIPE SIZE, SHALL BE PROTECTED AT THE END OF EACH DAY IN ACCORDANCE WITH THESE DETAILS.



**STONE FILTER INLET PROTECTION**



**STANDARD PIPE INLET PROTECTION (PLYWOOD & STONE)**



EFFECTIVE: 12/10/09

DETAIL No.  
04000.12  
SHEET 1 OF 1