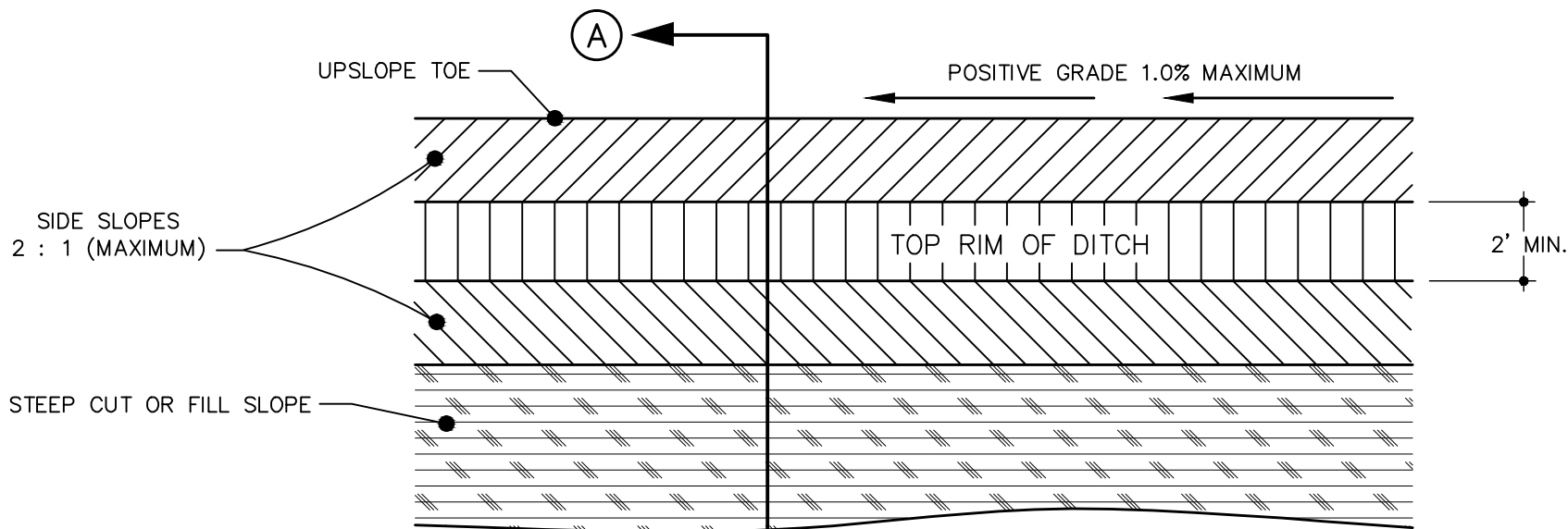


CROSS SECTION A-A

NOTE:
STABILIZE DIVERSION DITCH WITH TEMPORARY SEEDING AND EROSION CONTROL NETTING.



PLAN VIEW

STANDARD TEMPORARY DIVERSION DITCH



EFFECTIVE: 12/10/09

DETAIL No.

04000.09

SHEET 1 OF 1