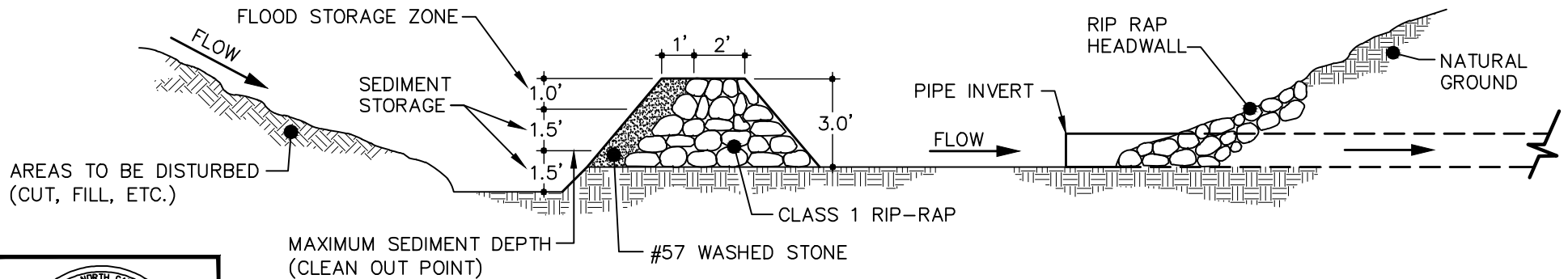


- NOTES:**
1. GRAVEL & RIP RAP FILTER BERM BASIN DETAIL IS DESIGNED TO PROTECT EXISTING PIPE INVERTS THAT DRAIN 5 ACRES OR LESS.
 2. DIMENSIONS ARE MINIMUM ACCEPTABLE UNLESS OTHERWISE NOTED.



SECTION THRU BASIN, FILTER AND CULVERT PIPE

(EXISTING PIPE INVERTS)
GRAVEL & RIP RAP FILTER BERM BASIN



EFFECTIVE: 12/10/09

DETAIL No.

04000.04
SHEET 1 OF 1