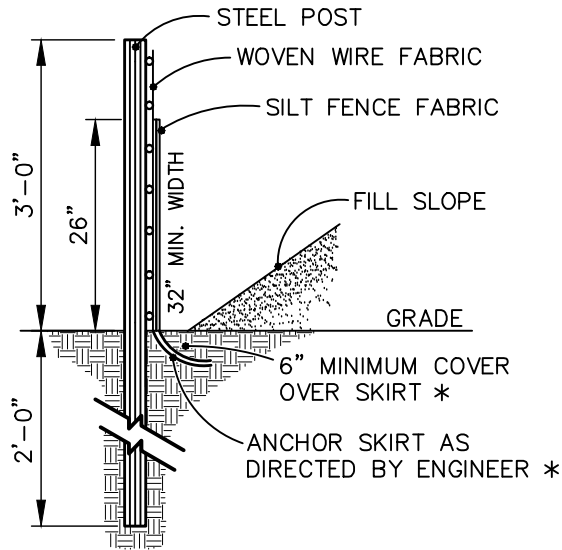


FRONT VIEW



SIDE VIEW

NOTE:
 USE SILT FENCE ONLY WHEN DRAINAGE AREA DOES NOT EXCEED 1/4 ACRE AND NEVER IN AREAS OF CONCENTRATED FLOW.

* FOR REPAIR OF SILT FENCE FAILURES
 USE DETAIL 04000.23

STANDARD TEMPORARY SILT FENCE



EFFECTIVE: 12/10/09

DETAIL No.

04000.01
 SHEET 1 OF 1