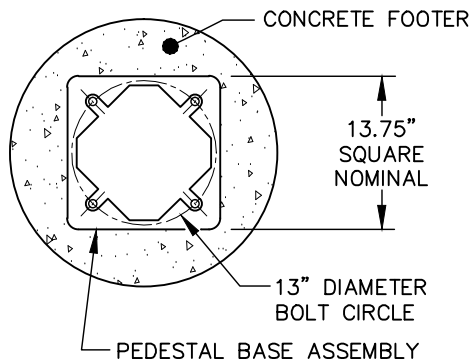


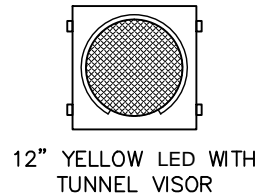
BASE PLATE DETAIL

(PLAN VIEW)

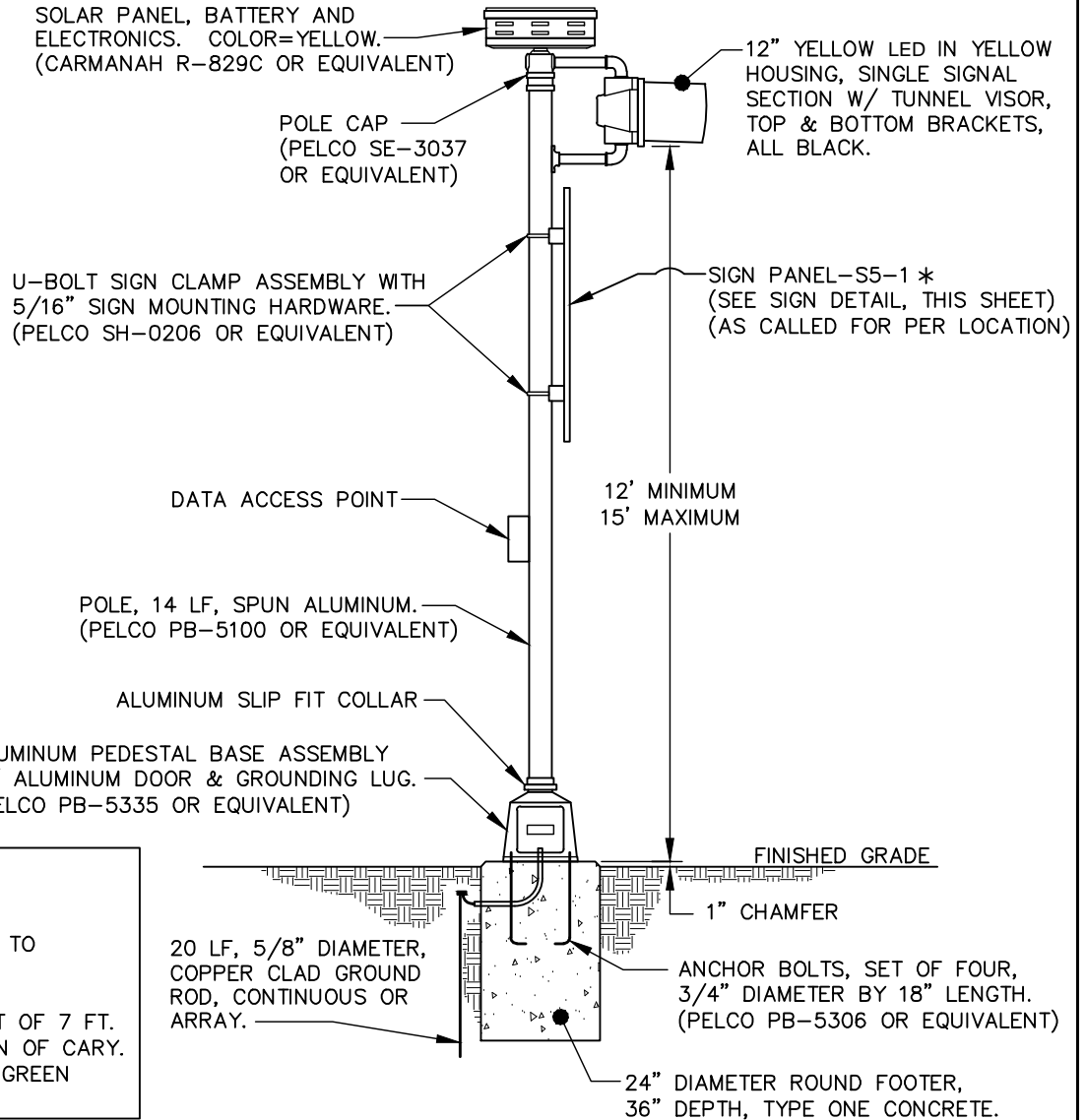


SIGNAL HEAD DETAIL

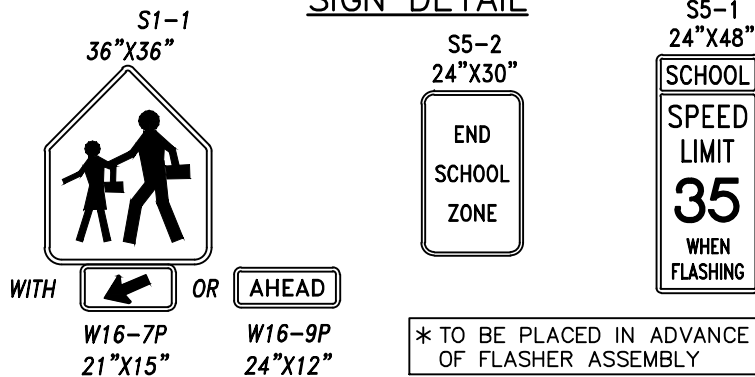
(FRONT VIEW)



SOLAR POWERED SCHOOL BEACON



SIGN DETAIL



- NOTES:**
1. ALL FASTENERS SHALL BE STAINLESS STEEL.
 2. SIGNAL INDICATIONS SHALL BE LED TYPE.
 3. CONTRACTOR SHALL NOTIFY TOWN OF CARY PRIOR TO CONSTRUCTION.
 4. INSTALL BEACON OUTSIDE OF CLEAR ZONE.
 5. NO SIDEWALK OBSTRUCTIONS PERMITTED TO HEIGHT OF 7 FT.
 6. ASSEMBLY SHALL MATCH OTHERS WITHIN THE TOWN OF CARY.
 7. ALL SCHOOL SIGNS SHOULD USE STRONG YELLOW-GREEN COLOR WHERE APPLICABLE.



EFFECTIVE: 12/10/09

SCHOOL SPEED LIMIT FLASHER ASSEMBLY

DETAIL No.
03000.20
SHEET 1 OF 1