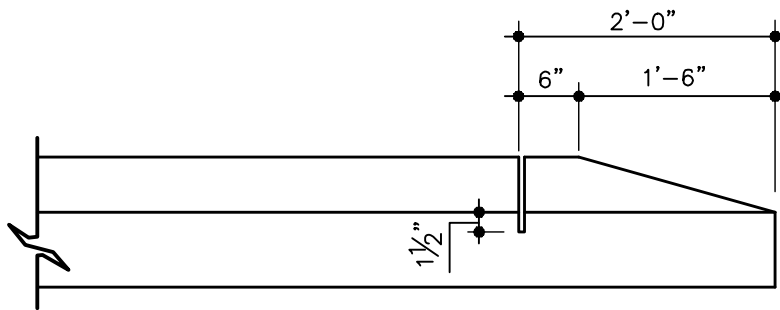
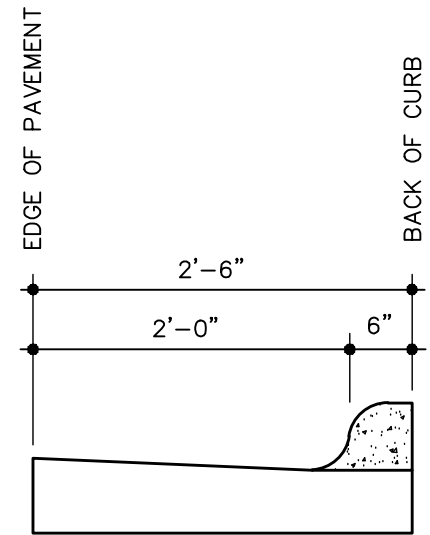


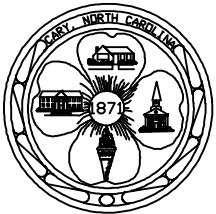
PLAN



FRONT



END



EFFECTIVE: 12/10/09

STANDARD METHOD OF ENDING CURB AND GUTTER

DETAIL No.

03000.11

SHEET 1 OF 1