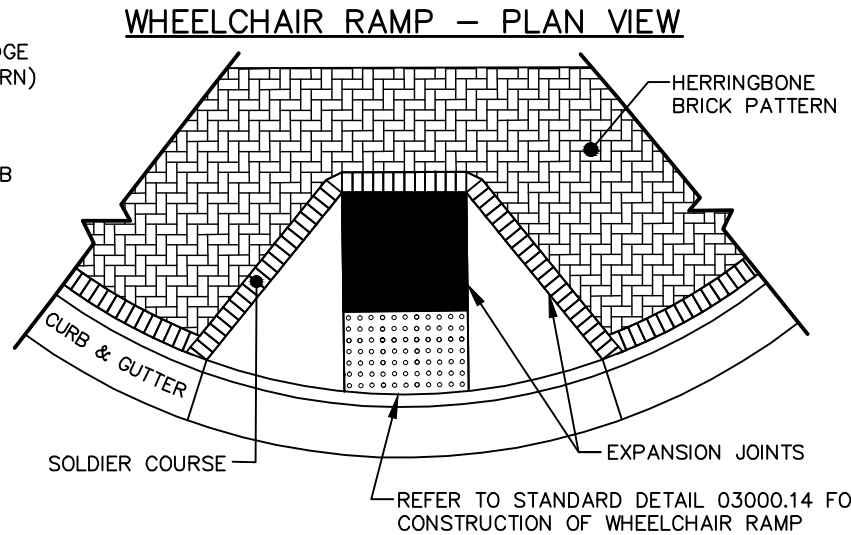
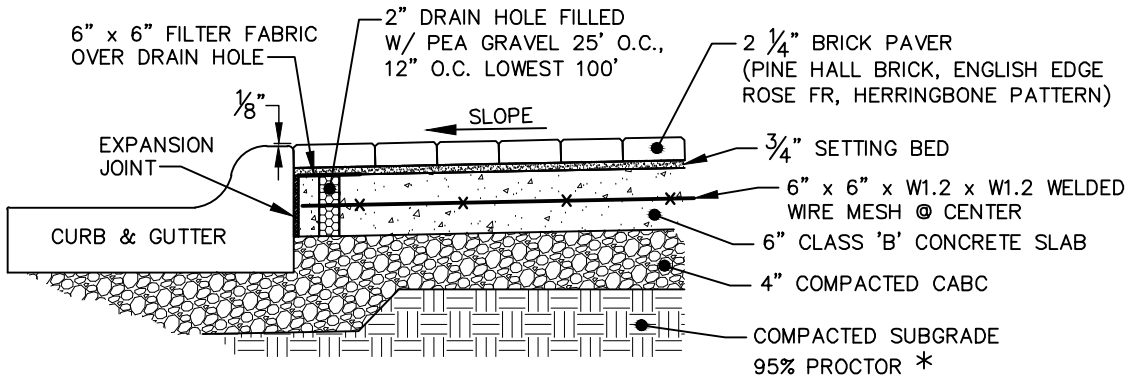


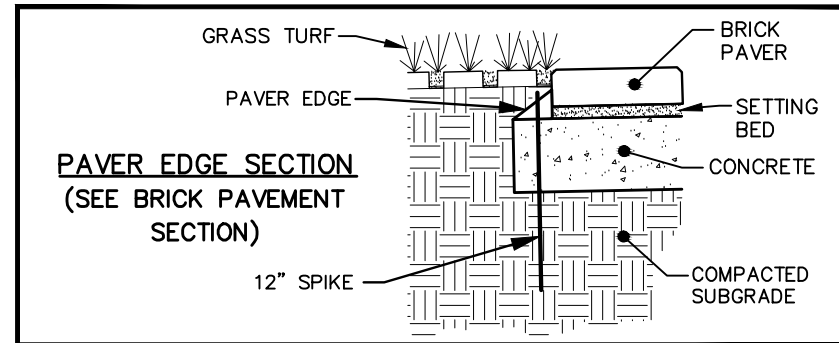
**BRICK SIDEWALK SECTION
LIGHT DUTY**



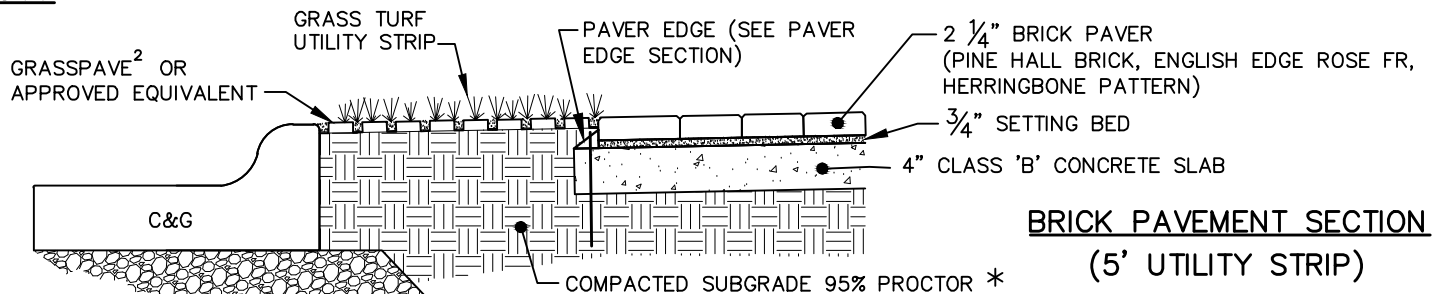
WHEELCHAIR RAMP – PLAN VIEW



**BRICK SIDEWALK SECTION
HEAVY DUTY**



**PAVER EDGE SECTION
(SEE BRICK PAVEMENT SECTION)**



**BRICK PAVEMENT SECTION
(5' UTILITY STRIP)**



EFFECTIVE: 12/10/09

STANDARD BRICK PAVERS OR CONCRETE PAVERS SIDEWALK

DETAIL No.

03000.07
SHEET 2 OF 2