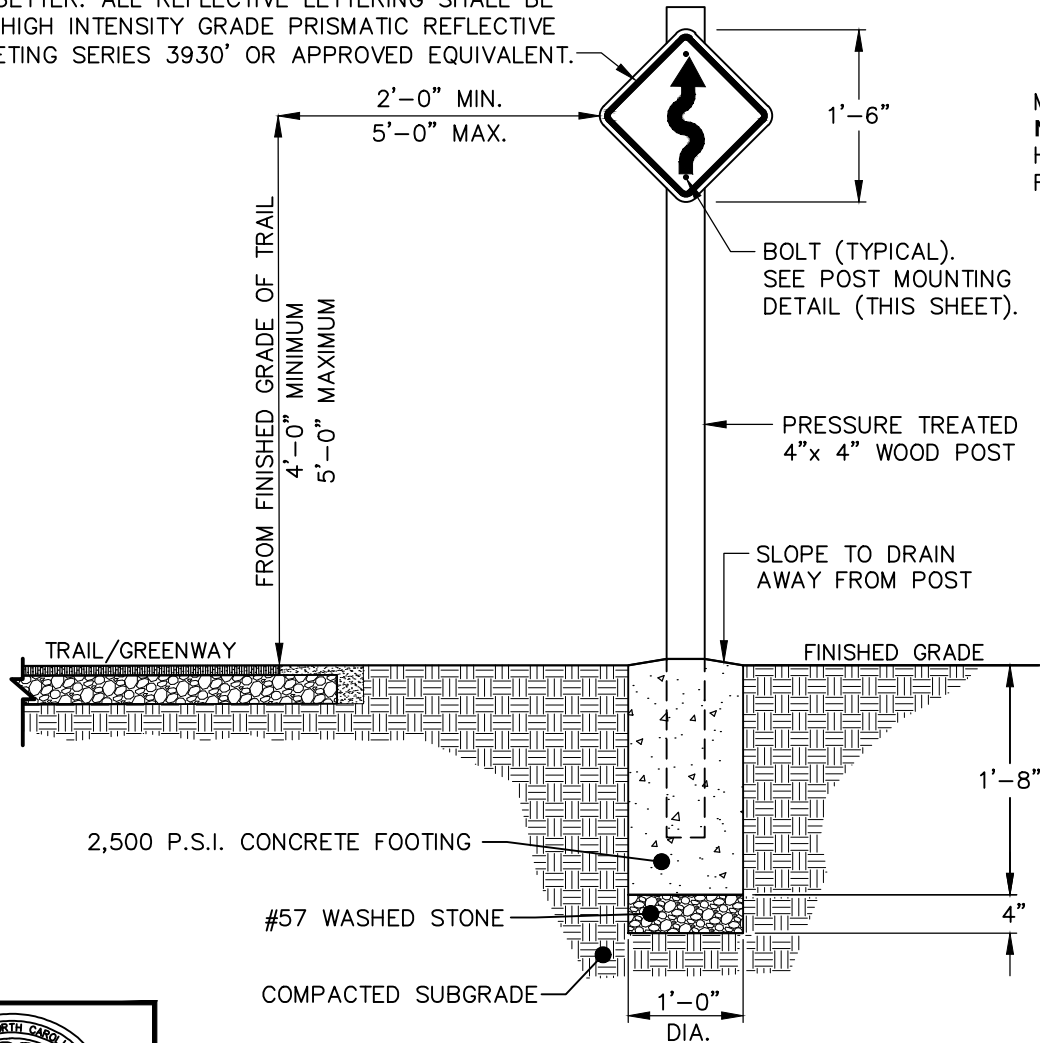
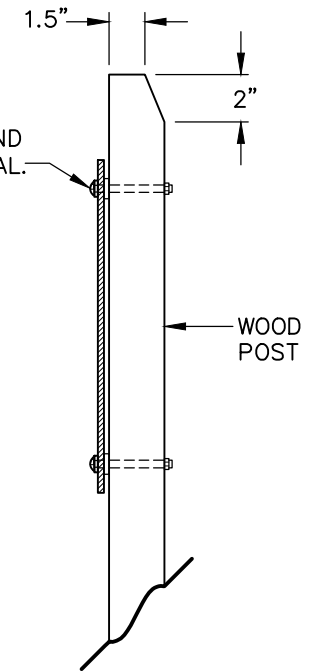


SIGN: MUTCD W1-5.
 0.125 MINIMUM GAUGE ALUMINUM SIGN, GRADE 6061
 OR BETTER. ALL REFLECTIVE LETTERING SHALL BE
 '3M HIGH INTENSITY GRADE PRISMATIC REFLECTIVE
 SHEETING SERIES 3930' OR APPROVED EQUIVALENT.



MOUNT SIGN ON WOOD POST TO
NCDOT SPECIFICATIONS. ALL
 HARDWARE TO BE GALVANIZED AND
 FILED TO PREVENT THEFT/REMOVAL.

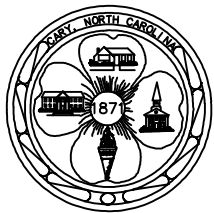


POST MOUNTING DETAIL

NOTE:
 SIGN SHALL MEET CURRENT **MUTCD**
 REQUIREMENTS FOR COLOR AND REFLECTION.

FRONT VIEW

STANDARD PRIVATE TRAIL SIGN: CURVES AHEAD



EFFECTIVE: 01/05/17

DETAIL No.

09000.38

SHEET 1 OF 1