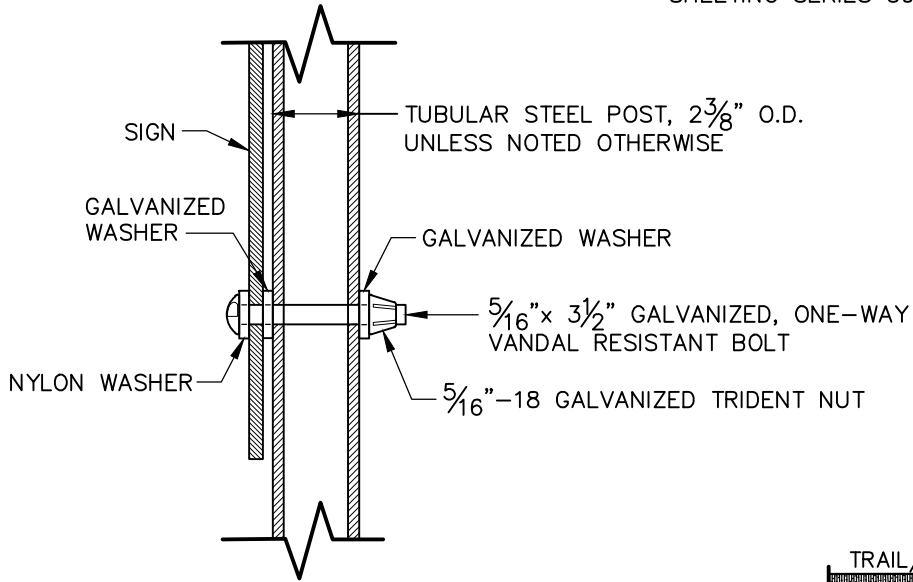


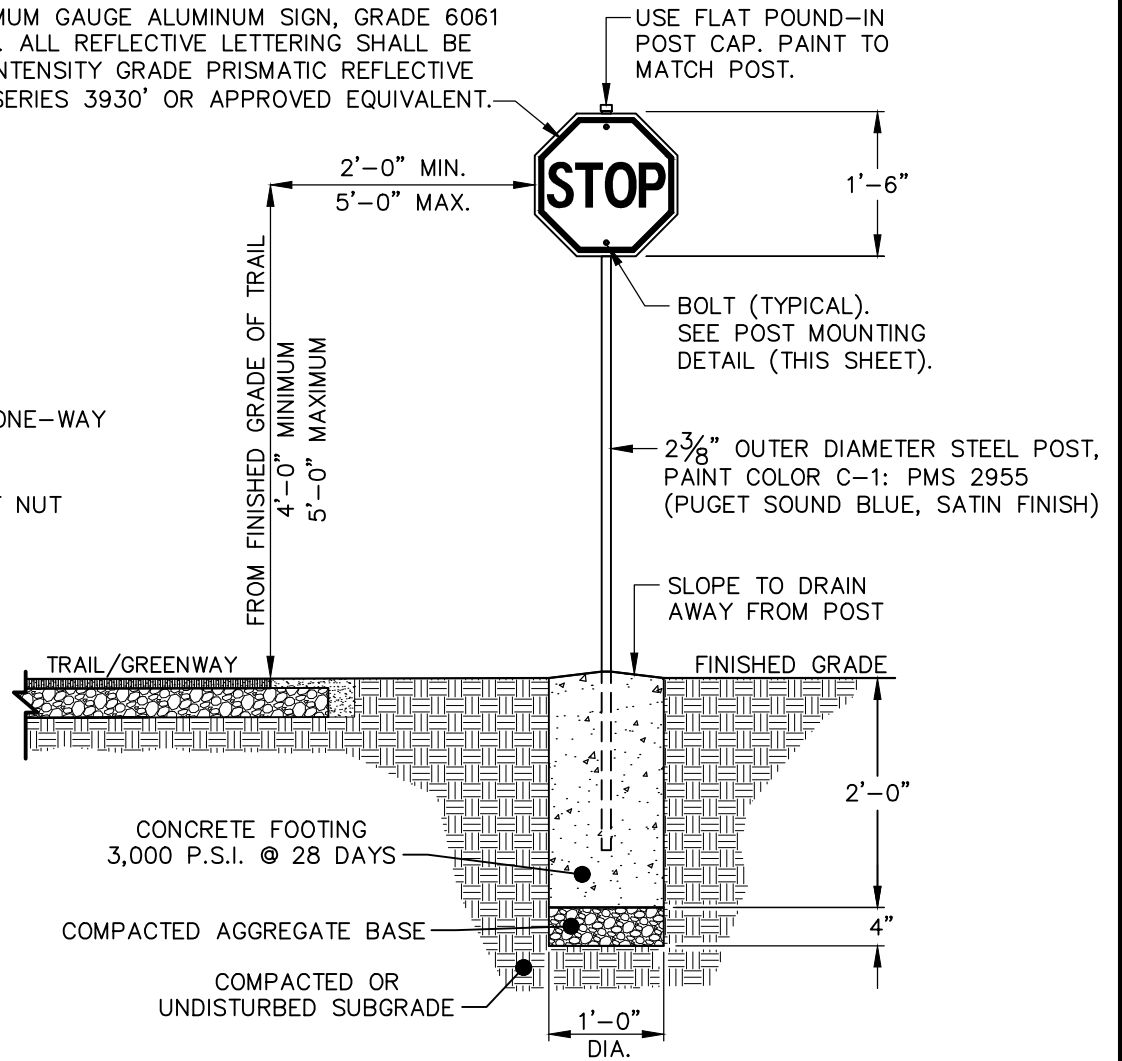
SIGN: MUTCD R1-1.
 0.125 MINIMUM GAUGE ALUMINUM SIGN, GRADE 6061
 OR BETTER. ALL REFLECTIVE LETTERING SHALL BE
 '3M HIGH INTENSITY GRADE PRISMATIC REFLECTIVE
 SHEETING SERIES 3930' OR APPROVED EQUIVALENT.



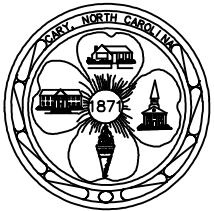
POST MOUNTING DETAIL

NOTES:

1. COLOR CODE REFERENCE THE PANTONE MATCHING SYSTEM.
2. ALL VISIBLE WELDS TO BE CONTINUOUS AND GROUND TO PROVIDE A SMOOTH SURFACE.
3. SIGN SHALL MEET CURRENT **MUTCD** REQUIREMENTS FOR COLOR AND REFLECTION.



FRONT VIEW



EFFECTIVE: 01/05/17

STANDARD PUBLIC TRAIL SIGN: STOP

DETAIL No.

09000.33

SHEET 1 OF 1