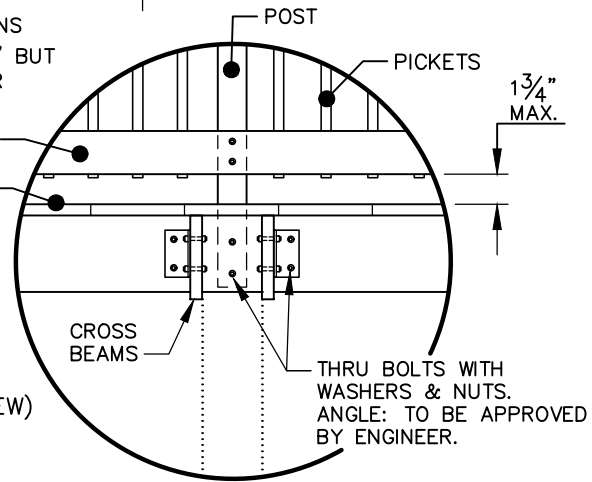
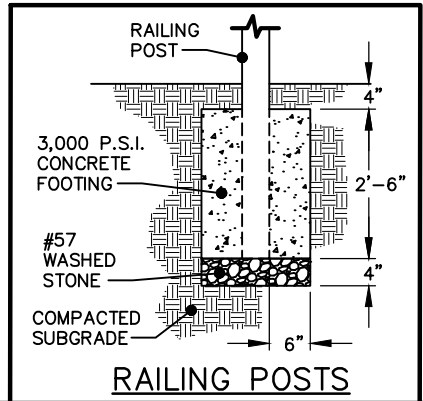
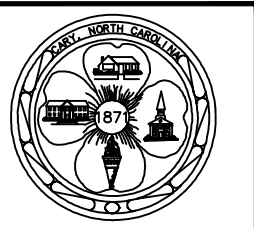


ELEVATION VIEW
 (FOR PLAN & SECTION VIEW SEE
 DETAIL 09000.22 & 09000.23)

NOTE:
 INTERIOR SPANS ARE 8'-6" AND END SPANS
 ASSOCIATED WITH ABUTMENTS ARE 8'-2 1/4" BUT
 SHALL BE SPACED APPROPRIATELY AS PER
 SEALED DESIGNS.



8" x 8" PILING (TYPICAL)



EFFECTIVE: 01/05/17

STANDARD BOARDWALK (ELEVATION VIEW)

DETAIL No.
09000.24
 SHEET 1 OF 1