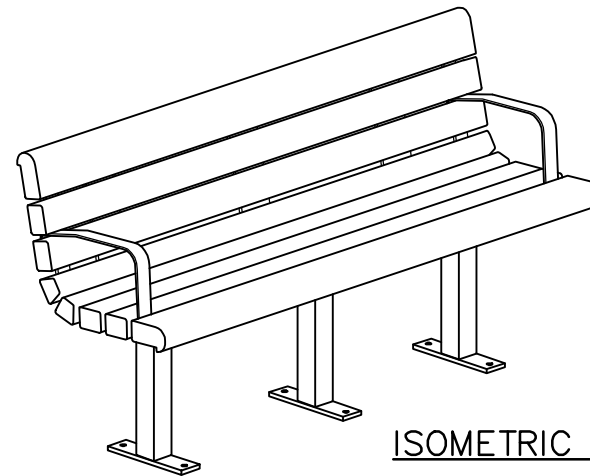


**NOTES:**

1. ALL STEEL MEMBERS COATED W/ ZINC RICH EPOXY THEN FINISHED WITH BLACK POLYESTER POWDER COATING.
2. DuMor PRODUCT OR EQUIVALENT.



**STANDARD BENCH**



EFFECTIVE: 01/05/17

DETAIL No.

09000.12

SHEET 1 OF 2