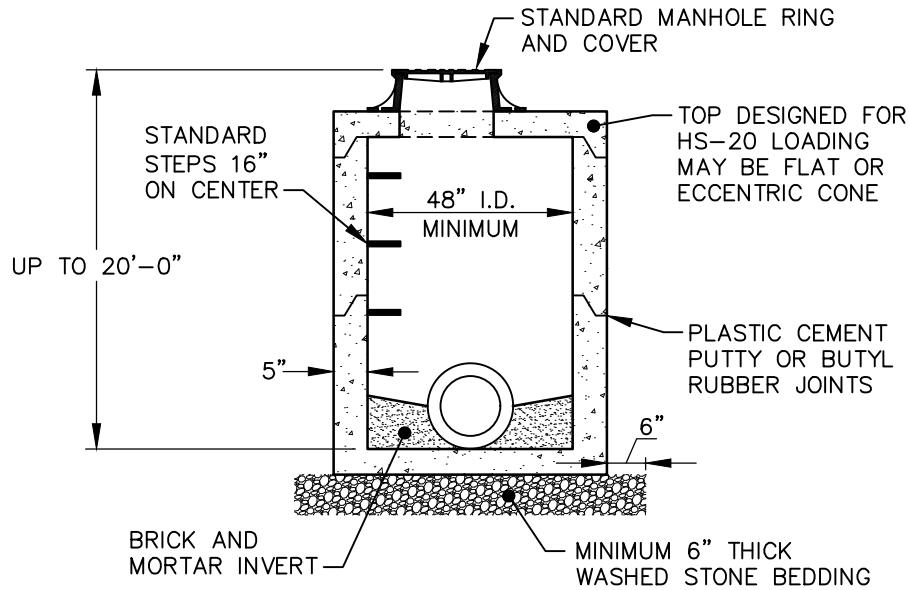
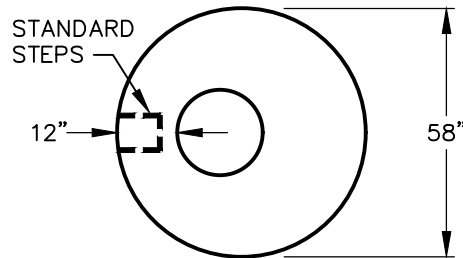


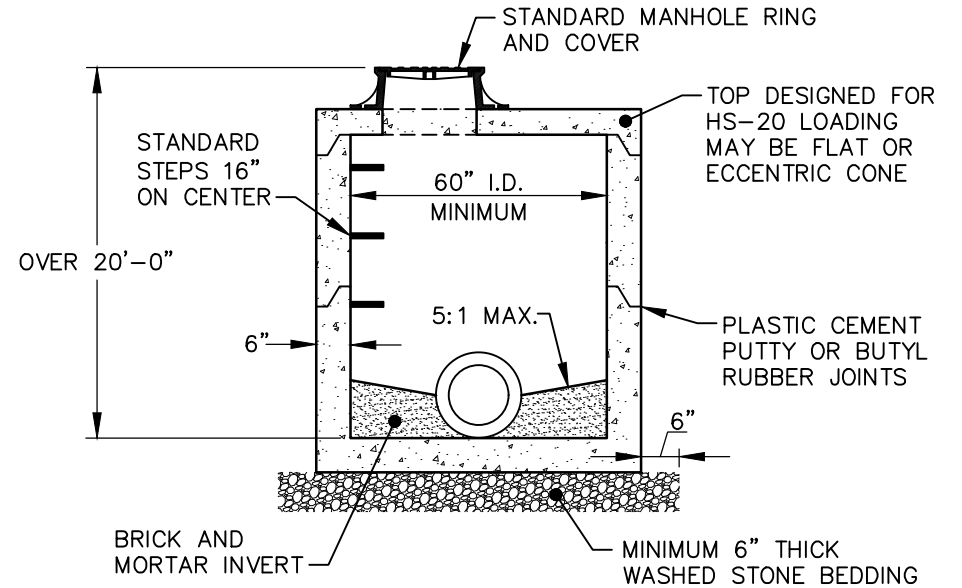
**STANDARD TYPE**  
(UP TO 20 FEET IN DEPTH)



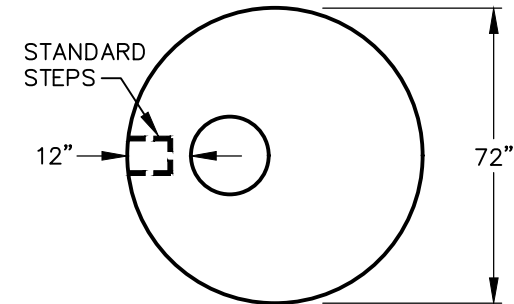
**FLAT TOP DETAIL**



**DEEP TYPE**  
(OVER 20 FEET IN DEPTH)



**FLAT TOP DETAIL**



STANDARD PRECAST CONCRETE MANHOLE JUNCTION BOX

DETAIL No.

08000.05

SHEET 1 OF 1

EFFECTIVE: 01/05/17