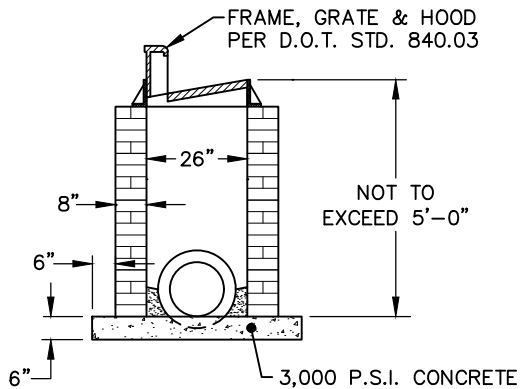
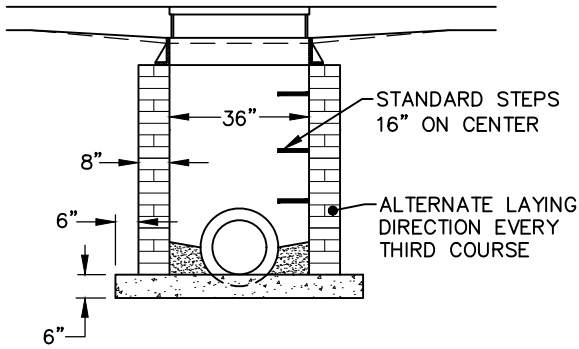


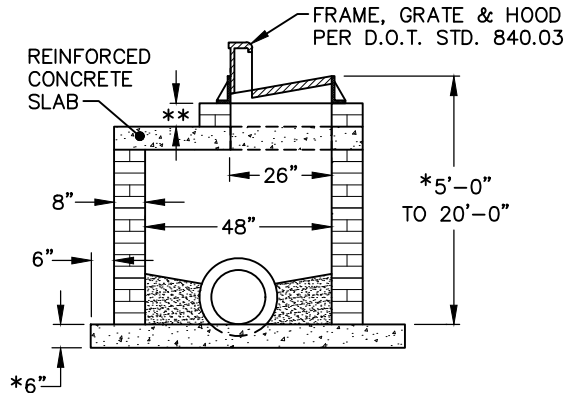
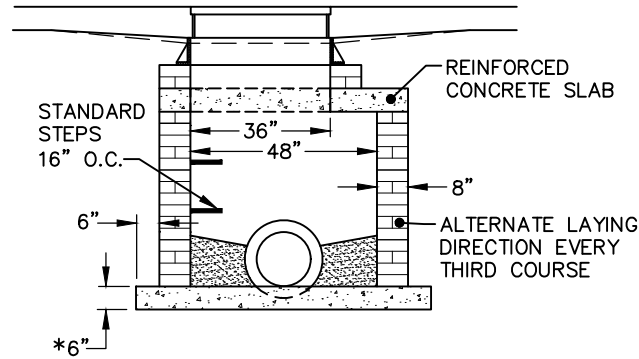
### SHALLOW TYPE

(5 FEET OR LESS IN DEPTH)

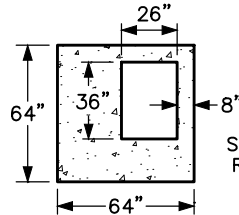


### INTERMEDIATE TYPE (4'X4')

(5 FEET TO 20 FEET IN DEPTH)



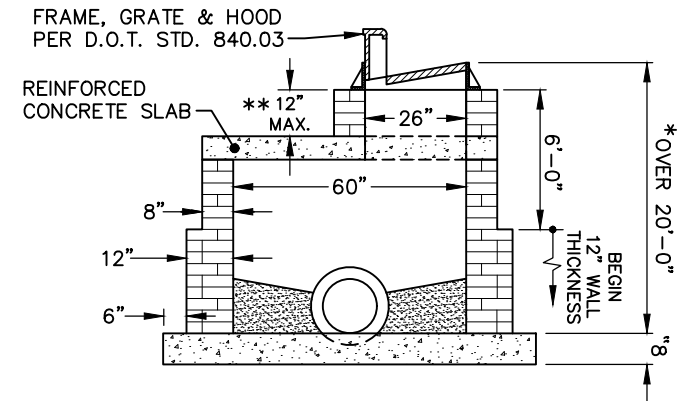
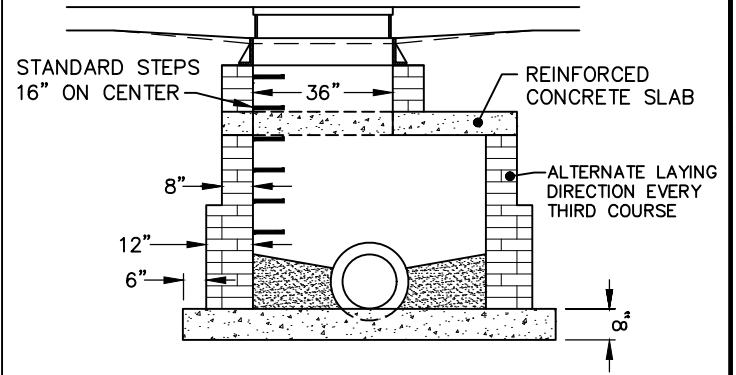
#### SLAB DETAIL



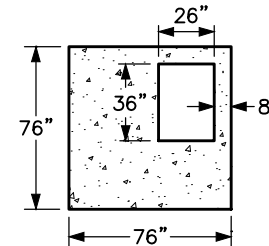
SLAB THICKNESS AND REINFORCEMENT FOR SOIL AND TRAFFIC LOADING BY AN ENGINEER

### DEEP TYPE (5'X5')

(OVER 20 FEET IN DEPTH)



#### SLAB DETAIL



SLAB THICKNESS AND REINFORCEMENT FOR SOIL AND TRAFFIC LOADING BY AN ENGINEER

\* OVER 8' IN DEPTH, 12" WALL THICKNESS TO 6' FROM TOP OF WALL, AND 8" BOTTOM SLAB SHALL BE USED.

\*\* BRICK MAY BE USED TO ADJUST FRAME, GRATE & HOOD TO SURFACE ELEVATION A MAXIMUM OF 12 INCHES.



## STANDARD CONCRETE BLOCK OR BRICK CATCH BASIN

DETAIL No.

08000.03

SHEET 1 OF 2

EFFECTIVE: 01/05/17