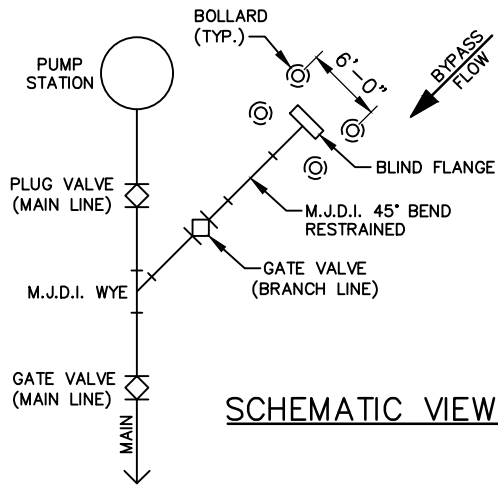
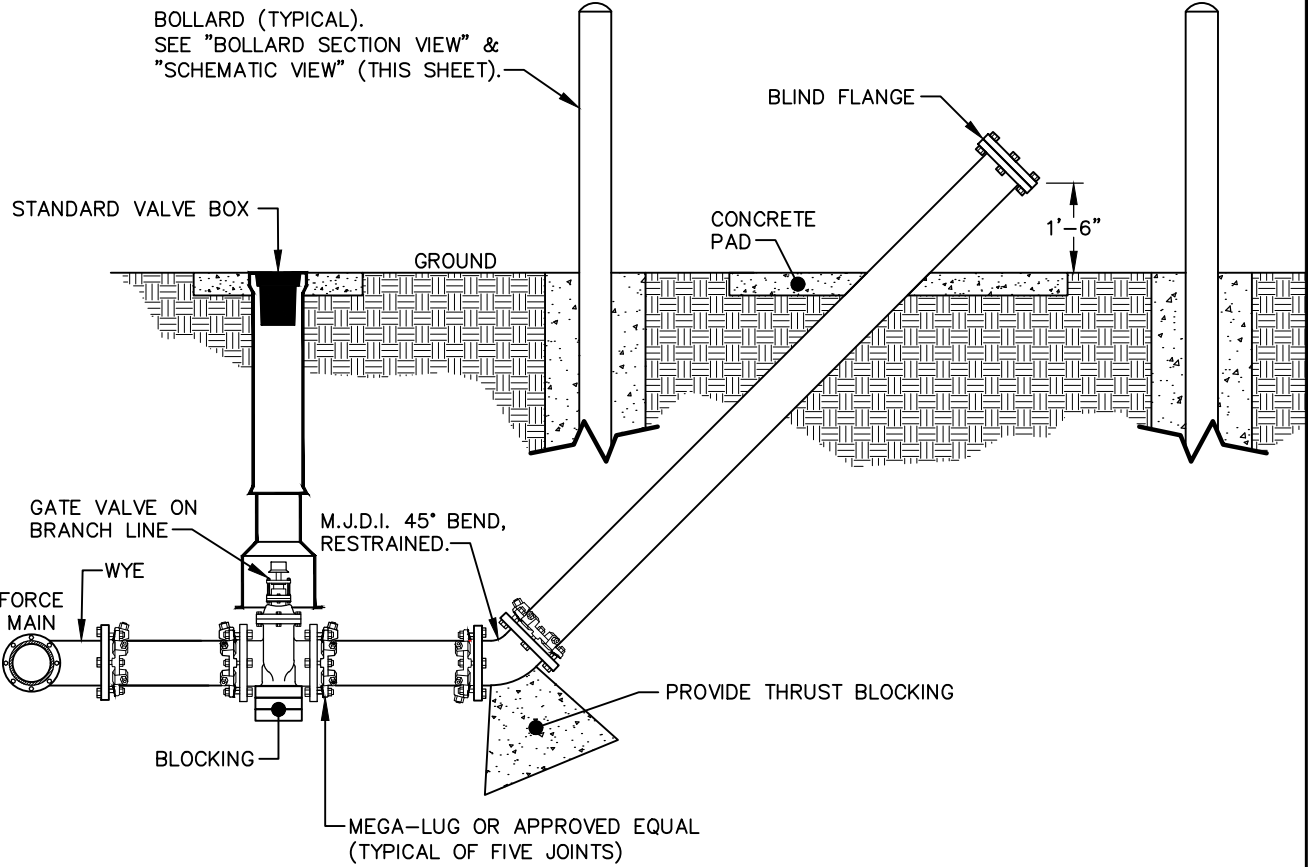


**BOLLARD SECTION VIEW**



**SCHEMATIC VIEW**



**BYPASS PUMPING CONNECTION SECTION VIEW**

**NOTES:**

1. THE PIGGING/BYPASS CONNECTION SHALL BE LOCATED WITHIN 50 FEET OF THE PUMP STATION VALVE VAULT.
2. ALL PIPING WITHIN THE BYPASS ASSEMBLY SHALL BE INTERIOR COATED WITH PROTECTO 401.
3. ALL BURIED PIPES, VALVES, AND FITTINGS SHALL BE DUCTILE IRON AND RESTRAINED WITH WEDGE ACTION RETAINER GLANDS AND BLOCKING AS SHOWN.
4. ALL PIPING FOR THE PIGGING/BYPASS CONNECTION SHALL BE THE SAME DIAMETER AS THE FORCE MAIN.



**STANDARD FORCE MAIN PIGGING & BYPASS CONNECTION**

EFFECTIVE: 01/05/17

DETAIL No.

07200.07

SHEET 1 OF 2