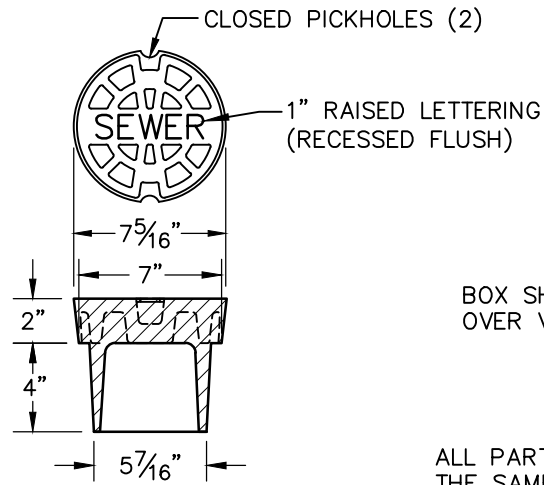
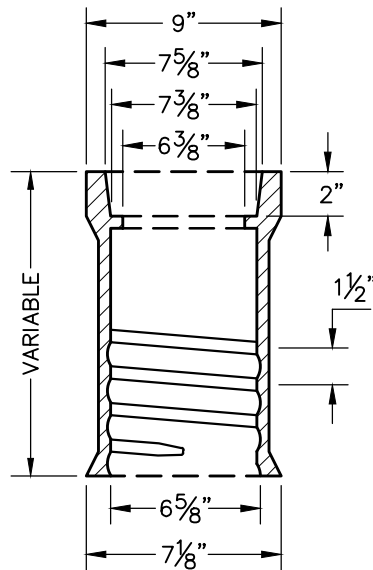


BOTTOM SECTION



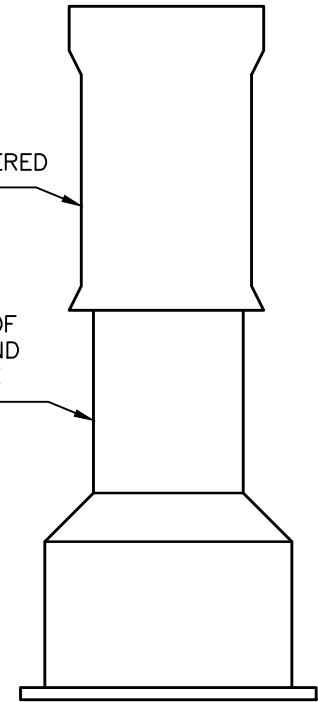
LID



TOP SECTION

BOX SHALL BE CENTERED OVER VALVE

ALL PARTS SHALL BE OF THE SAME MATERIAL AND SUPPLIED BY THE SAME MANUFACTURER



COMPLETE BOX

- NOTES:**
1. VALVE BOX COVER SHALL WEIGH A MINIMUM 24 lbs.
 2. ENTIRE VALVE BOX ASSEMBLY & COVER SHALL BE CAST FROM CLASS 35 GRAY IRON.
 3. ASSEMBLY SHALL BE DOMESTICALLY MADE AND MANUFACTURED IN THE U.S.A.



EFFECTIVE: 01/05/17

STANDARD PLUG VALVE BOX

DETAIL No.

07200.05
SHEET 2 OF 2