

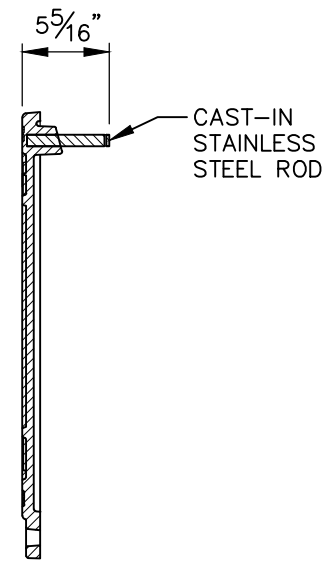
COVER TOP VIEW

(3) HEX HEAD $\frac{3}{8}$ "-16
ZINC PLATED BOLT WITH ZINC WASHER
& ZINC COATED STAINLESS STEEL NUT

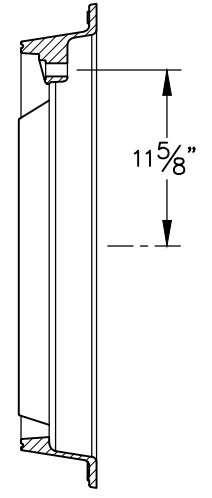
SPECIFICATIONS:
 1. GRAY IRON.
 2. COMPLIES WITH ASTM A48 CL35B.
 3. ALL LETTERING SHALL BE CLEAN, CRISP,
 AND CLEARLY LEGIBLE.
 4. DOMESTICALLY MADE AND MANUFACTURED
 IN THE USA.

$\frac{1}{2}$ " RAISED LETTERING
(RECESSED FLUSH)

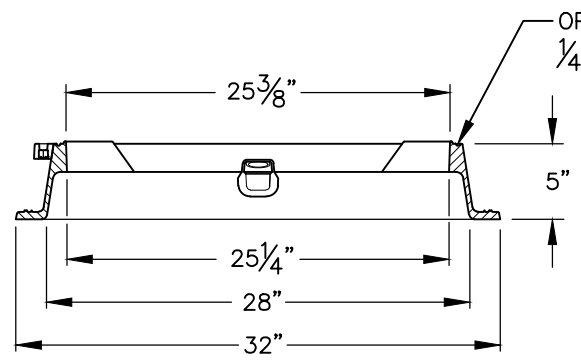
(4) 1" DIA. HANDLING HOLES
ON A $29\frac{3}{4}$ " DIA. B.C.



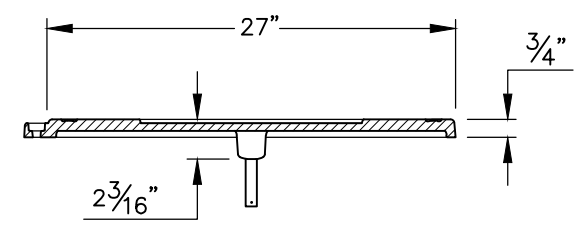
COVER SECTION B-B



FRAME SECTION B-B



FRAME SECTION A-A



COVER SECTION A-A

STANDARD MANHOLE RING AND COVER
 (TYPE 2B FOR OUTFALLS - NON-WATERTIGHT APPLICATIONS)

EFFECTIVE: 01/05/17

DETAIL No.
 07000.03
 SHEET 3 OF 5