

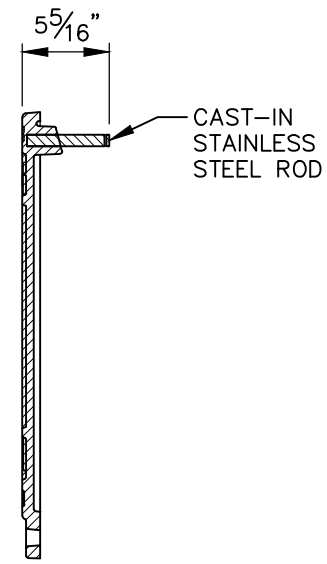
COVER TOP VIEW

(3) HEX HEAD  $\frac{3}{8}$ "-16  
ZINC PLATED BOLT WITH ZINC WASHER  
& ZINC COATED STAINLESS STEEL NUT

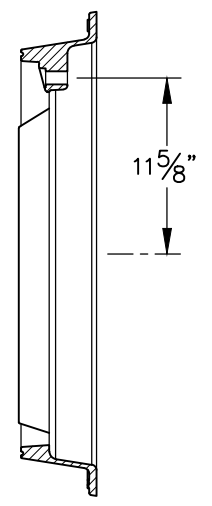
**SPECIFICATIONS:**  
 1. GRAY IRON.  
 2. COMPLIES WITH ASTM A48 CL35B.  
 3. ALL LETTERING SHALL BE CLEAN, CRISP,  
 AND CLEARLY LEGIBLE.  
 4. DOMESTICALLY MADE AND MANUFACTURED  
 IN THE USA.

$\frac{1}{2}$ " RAISED LETTERING  
(RECESSED FLUSH)

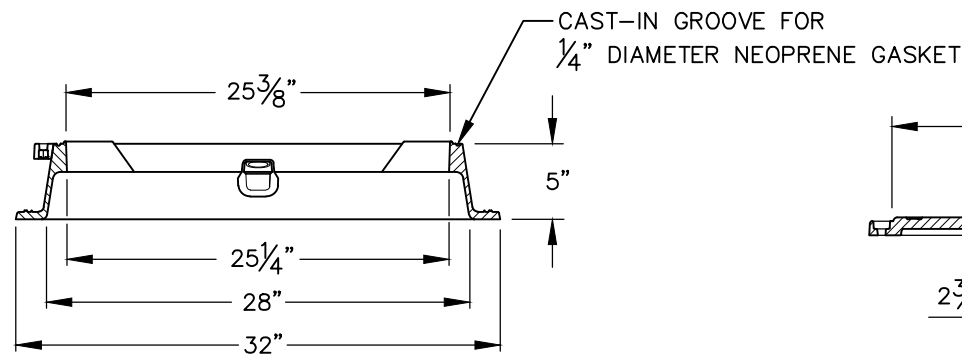
(4) 1" DIA. HANDLING HOLES  
ON A  $29\frac{3}{4}$ " DIA. B.C.



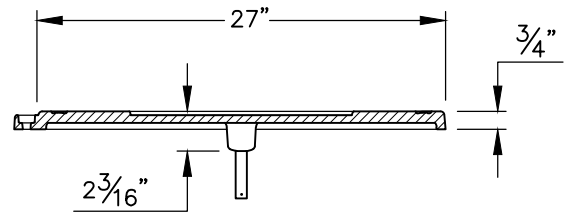
COVER SECTION B-B



FRAME SECTION B-B



FRAME SECTION A-A



COVER SECTION A-A



EFFECTIVE: 01/05/17

**STANDARD MANHOLE RING AND COVER  
(TYPE 2A FOR OUTFALLS - WATERTIGHT APPLICATIONS)**

DETAIL No.  
07000.03  
SHEET 2 OF 5