

RING TOP VIEW

COVER FOR SANITARY
SEWER IN PAVED AREAS

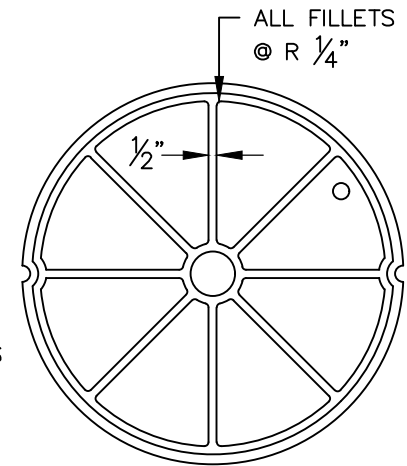
(1) VENT HOLE

1/4" RAISED LETTERING
(RECESSED FLUSH)

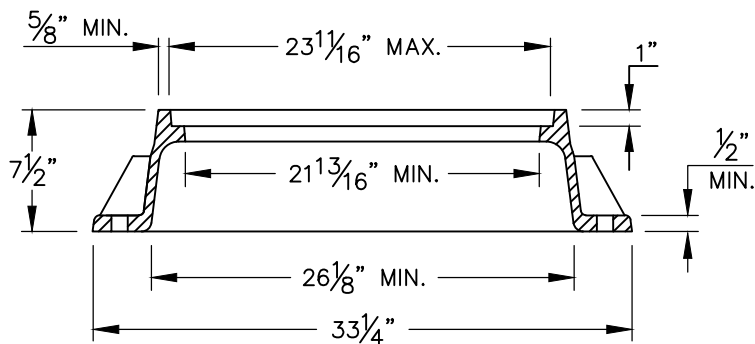
FILLETS @ R 1/8"

(2) PICKHOLES
1" DIAMETER

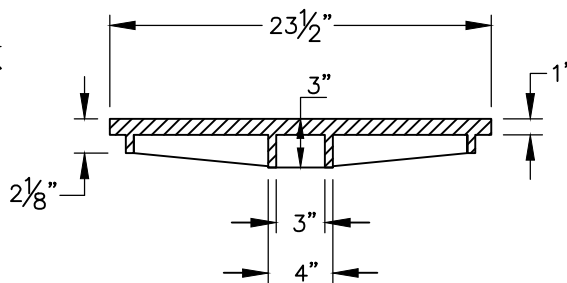
COVER TOP VIEW



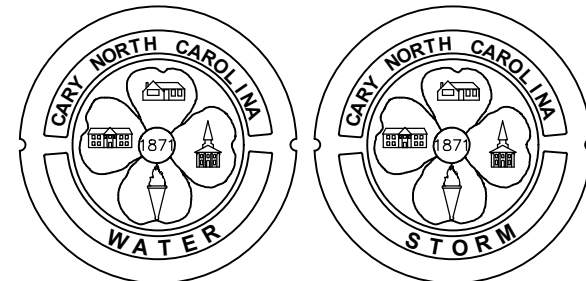
COVER BOTTOM VIEW



SECTION "A-A"



SECTION "B-B"



ALTERNATE LETTERING

SPECIFICATIONS:

1. CLASS 35 GRAY IRON.
2. COMPLIES WITH ASTM A48 CL35B.
3. ALL LETTERING SHALL BE CLEAN, CRISP, AND CLEARLY LEGIBLE.
4. DOMESTICALLY MADE & MANUFACTURED IN THE USA.

MINIMUM WEIGHTS

RING	180
COVER	125
TOTAL	305



EFFECTIVE: 01/05/17

STANDARD MANHOLE RING AND COVER
(TYPE 1 FOR PAVED AND UNPAVED AREAS WITHIN THE RIGHT-OF-WAY)

DETAIL No.

07000.03
SHEET 1 OF 5