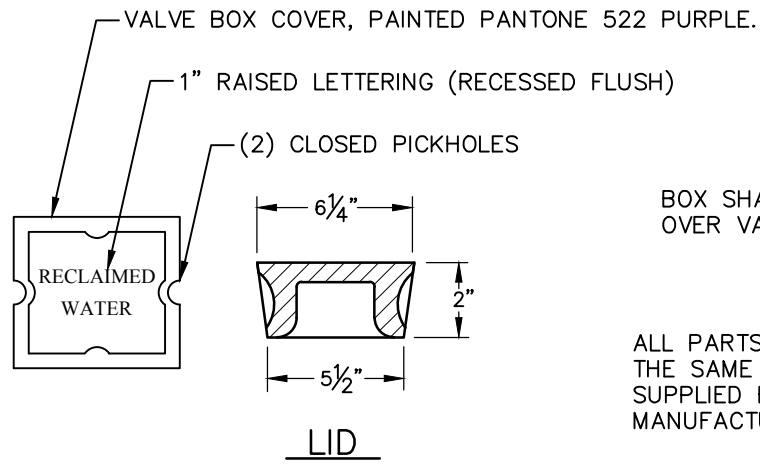
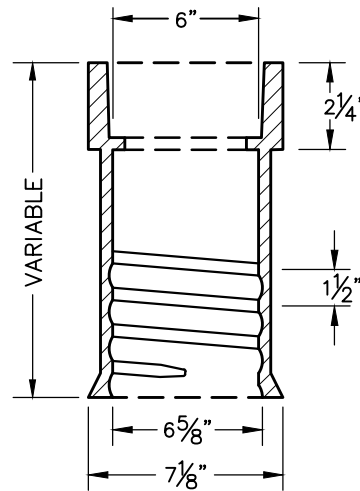


BOTTOM SECTION



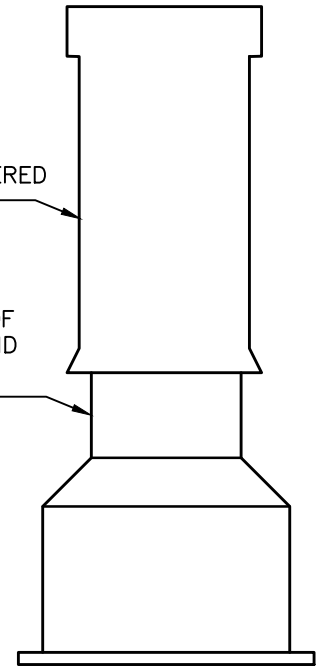
LID



SQUARE UPPER SECTION

BOX SHALL BE CENTERED OVER VALVE

ALL PARTS SHALL BE OF THE SAME MATERIAL AND SUPPLIED BY THE SAME MANUFACTURER



COMPLETE BOX

NOTES:

1. VALVE BOX COVER SHALL WEIGH A MINIMUM 13 lbs.
2. ENTIRE VALVE BOX ASSEMBLY & COVER SHALL BE CAST FROM CLASS 35 GRAY IRON.
3. ASSEMBLY SHALL BE DOMESTICALLY MADE AND MANUFACTURED IN THE U.S.A.



EFFECTIVE: 01/05/17

**STANDARD VALVE BOX
(FOR RECLAIMED WATER)**

DETAIL No.

06500.07
SHEET 2 OF 2