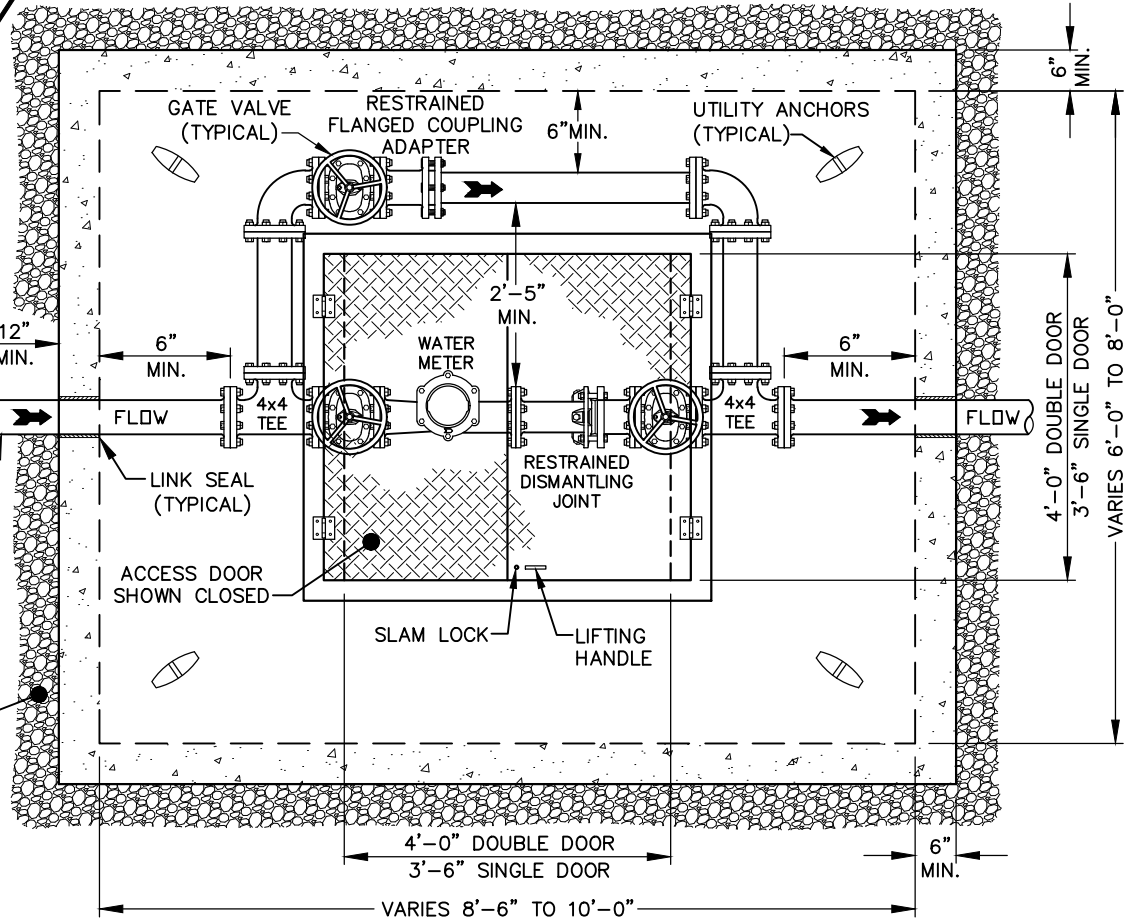
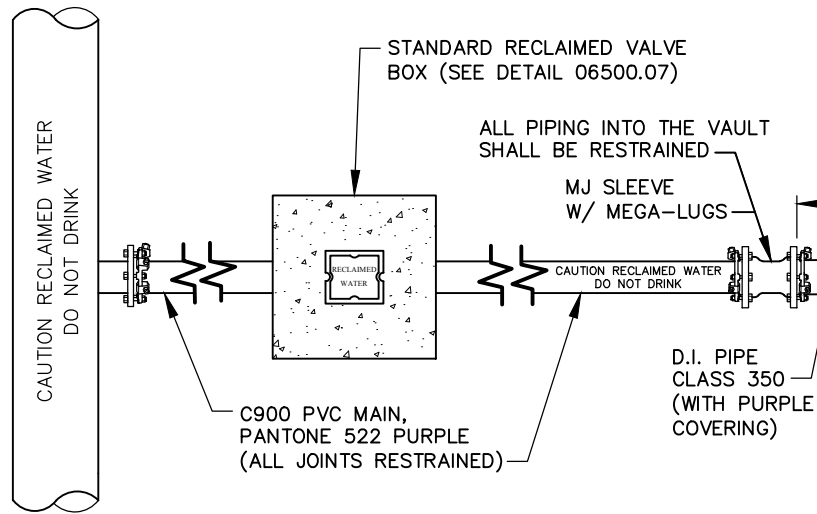


3" METER ASSEMBLY

PLAN VIEW
(SEE SHEET 4 OF 5 FOR SECTION VIEW)



57 STONE
(SEE SHEET 4 OF 5)



EFFECTIVE: 01/05/17

STANDARD RECLAIMED WATER 3" OR 4" METER INSTALLATION & VAULT

DETAIL No.
06500.02
SHEET 5 OF 5