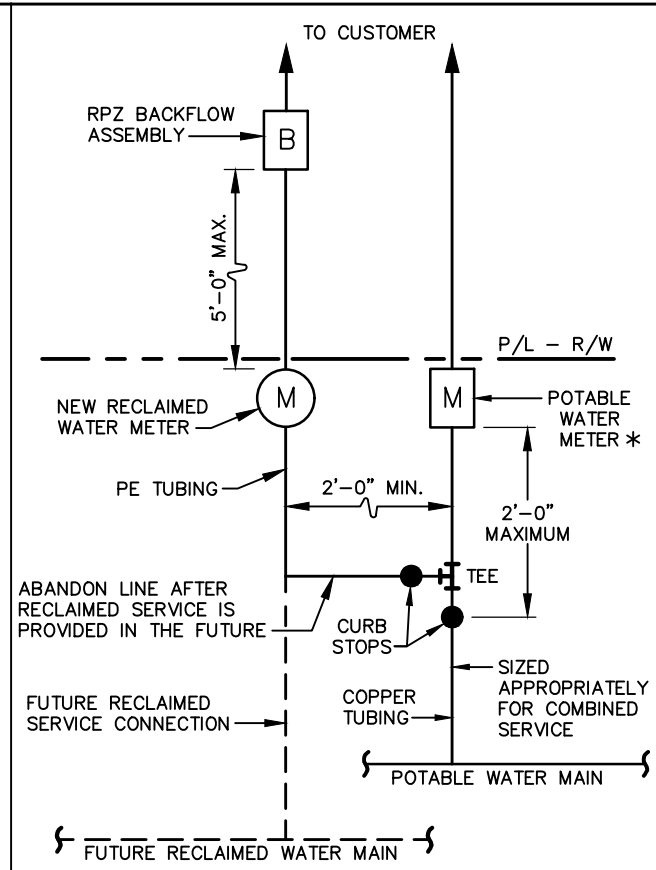
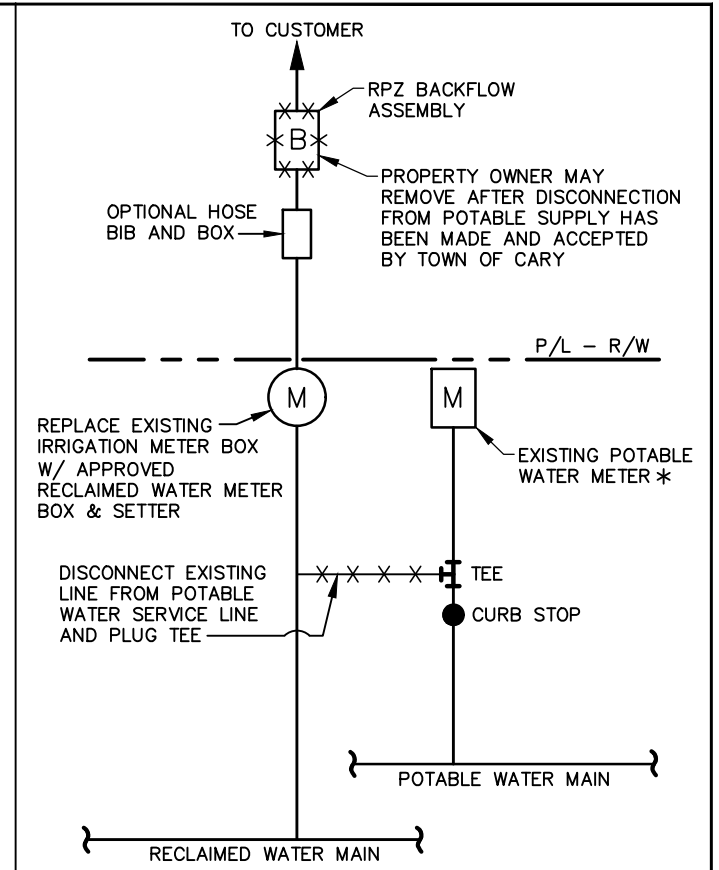


SCENARIO 1
RECLAIMED SERVICE CONNECTION
(NEW INSTALLATION)



SCENARIO 2
PRESENT POTABLE IRRIGATION
CONNECTION WHERE RECLAIMED SERVICE
IS NOT YET AVAILABLE



SCENARIO 3
RETROFIT OF EXISTING
IRRIGATION METER ASSEMBLY
FROM POTABLE TO RECLAIMED SERVICE

***NOTES:**

1. POTABLE WATER METER SHALL BE FITTED WITH DUAL CARTRIDGE CHECK VALVE.
2. METERS ARE TO BE PLACED IMMEDIATELY INSIDE OF R/W OR UTILITY EASEMENT LINE.
3. ALL PIPE AND APPURTENANCES LOCATED OUTSIDE OF THE RIGHT-OF-WAY OR EASEMENT ARE MAINTAINED BY THE PROPERTY OWNER.
4. MARKING TAPE SHALL BE INSTALLED FOR ALL SERVICE CONNECTIONS FROM THE MAIN LINE TO THE METER FOR ALL NEW CONSTRUCTION OR RETROFIT INSTALLATIONS USING OPEN TRENCH METHODS.



EFFECTIVE: 01/05/17

STANDARD RECLAIMED WATER SERVICE CONNECTIONS
IN DEFINED RECLAIMED SERVICE AREAS

DETAIL No.

06500.01
SHEET 1 OF 1