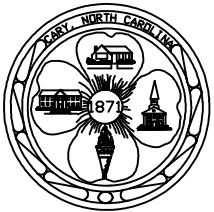
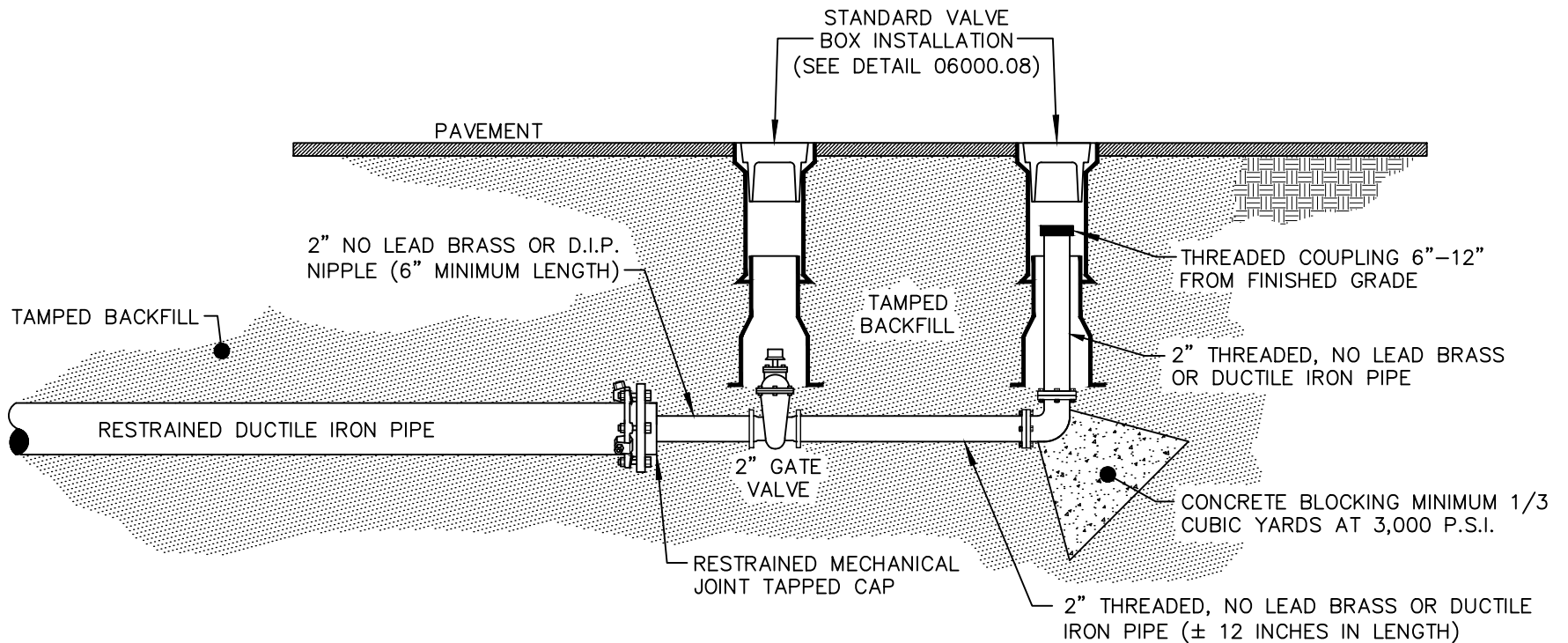


MAIN SIZE	END PIPE SIZE
4" - 12"	2" BLOW-OFF
14" & GREATER	AS APPROVED BY TOWN

**NOTES:**

1. FOR MAINS THAT ARE TO BE EXTENDED, USE A VALVE EQUAL TO THE MAIN SIZE AS THE BLOW-OFF VALVE AND THEN REDUCE TO THE 2 INCH STANDPIPE.
2. PIPE SHALL BE RESTRAINED AWAY FROM THE TAPPED CAP AS SPECIFIED IN SECTION 06010.



EFFECTIVE: 01/05/17

**STANDARD 2" BLOW-OFF ASSEMBLY**

DETAIL No.

06000.11

SHEET 1 OF 1