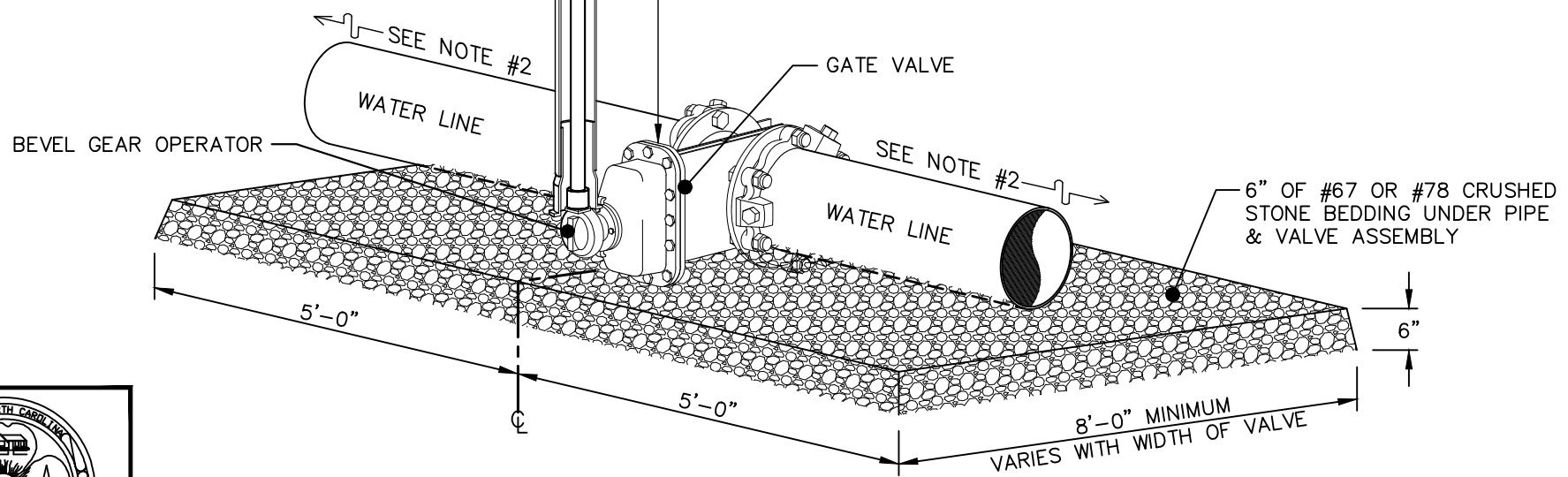


- NOTES:**
1. VALVE OPERATOR EXTENSION SHALL BE INSTALLED IN ALL CASES WHERE THE VALVE OPERATOR IS GREATER THAN 6 FOOT DEPTH FROM THE SURFACE.
  2. ADDITIONAL JOINT RESTRAINT REQUIRED IN EACH DIRECTION (NOT SHOWN) FOR INLINE VALVE TO OPERATE AS A DEAD END.
  3. HORIZONTAL GATE VALVES SHALL ONLY BE INSTALLED WHERE VERTICAL ALIGNMENT IS NOT POSSIBLE DUE TO DEPTH, MINIMUM CLEARANCE, OR OTHER CONFLICTS.



**RESILIENT WEDGE GATE VALVE ASSEMBLY  
FOR HORIZONTAL INSTALLATIONS**

DETAIL No.  
**06000.10**  
SHEET 2 OF 2