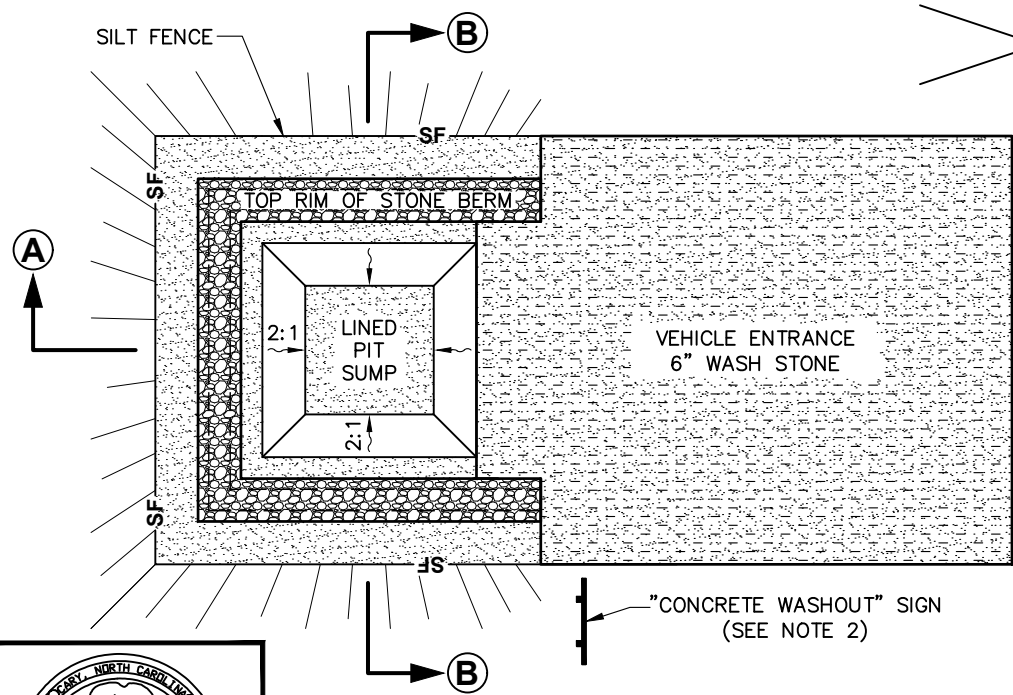
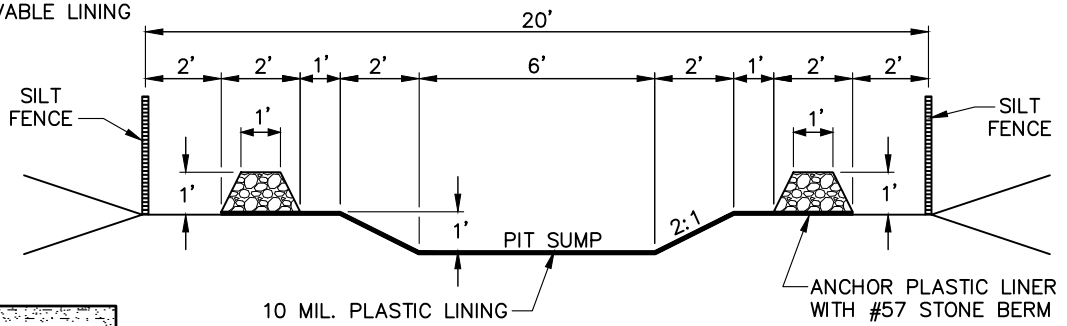
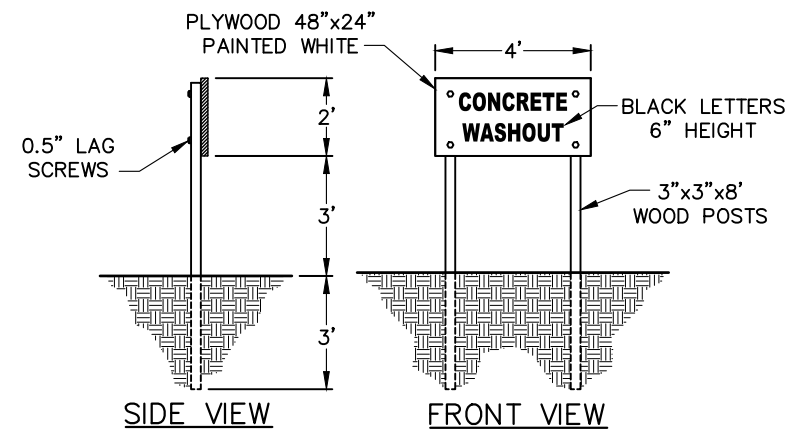


- NOTES:**
1. ACTUAL LAYOUT TO BE DETERMINED IN FIELD.
 2. THE "CONCRETE WASHOUT" SIGN SHALL BE INSTALLED WITHIN 30 FEET OF THE TEMPORARY CONCRETE WASHOUT FACILITY.
 3. PIT CAPACITY IS MINIMUM OF 6 CUBIC FEET PER 10 CUBIC YARDS OF CONCRETE.



SECTION B-B

PLAN VIEW



"CONCRETE WASHOUT" SIGN DETAILS

CONCRETE WASHOUT PIT



EFFECTIVE: 01/05/17

DETAIL No.

04000.29

SHEET 1 OF 1