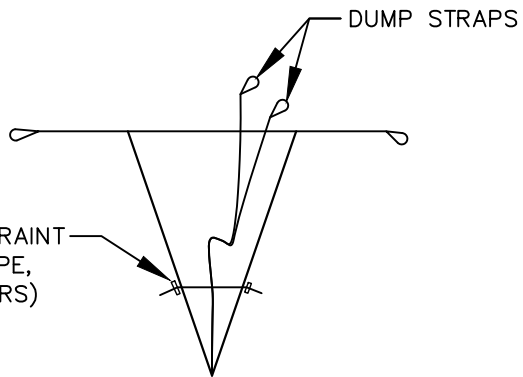
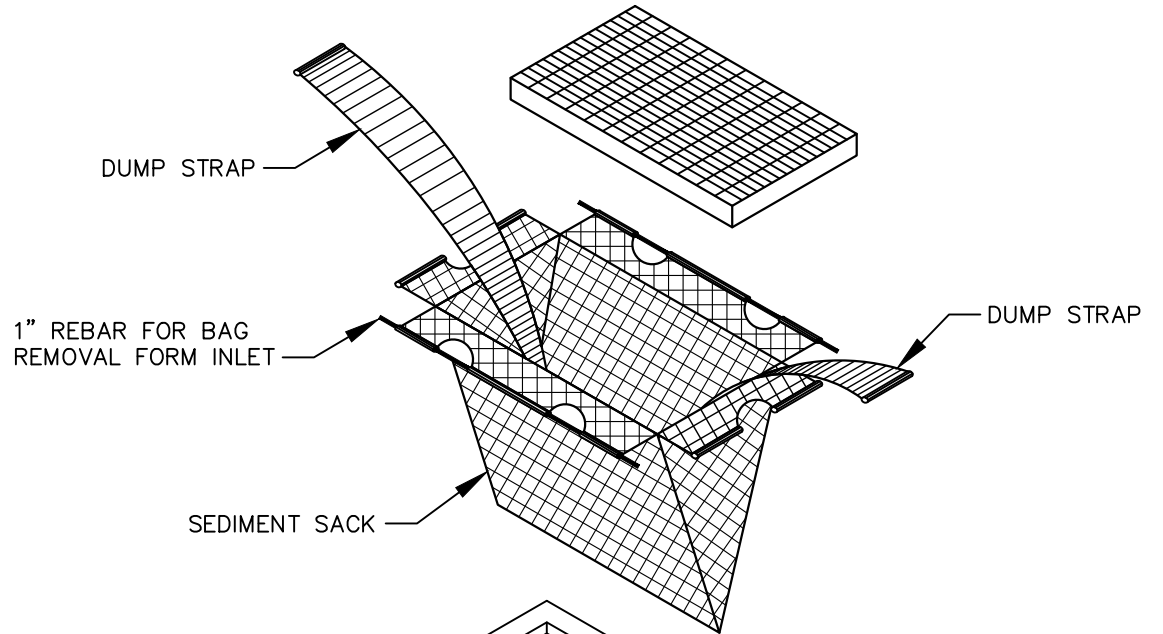
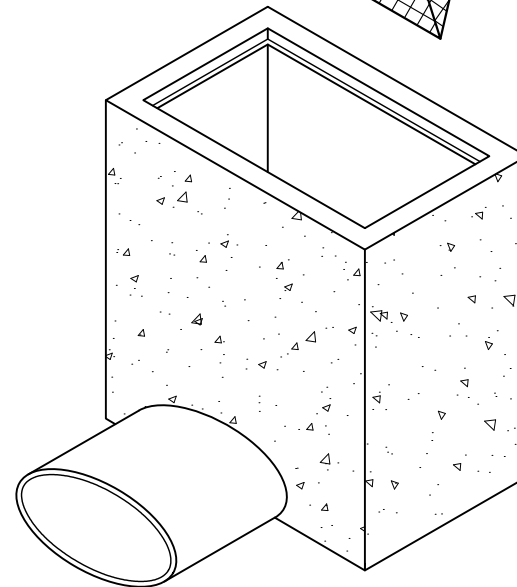


INSTALLATION DETAIL



BAG DETAIL



EFFECTIVE: 01/05/17

STANDARD INLET SEDIMENT CONTROL DEVICE

DETAIL No.

04000.19

SHEET 1 OF 1