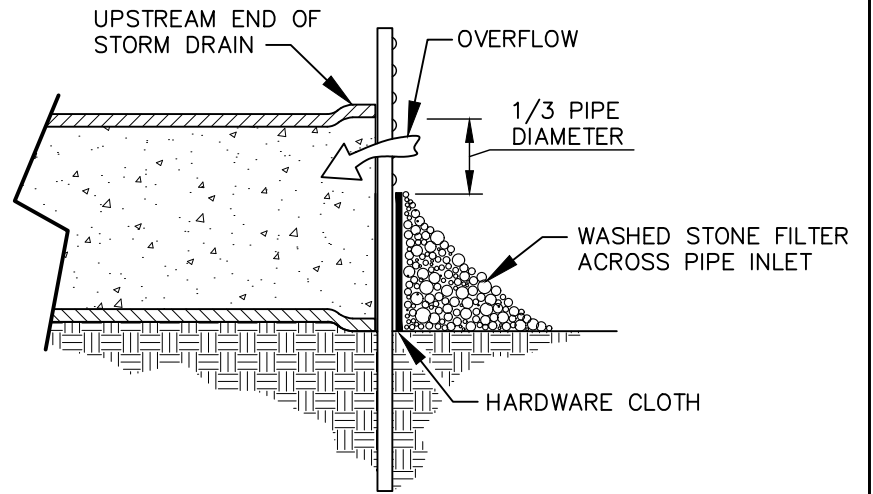
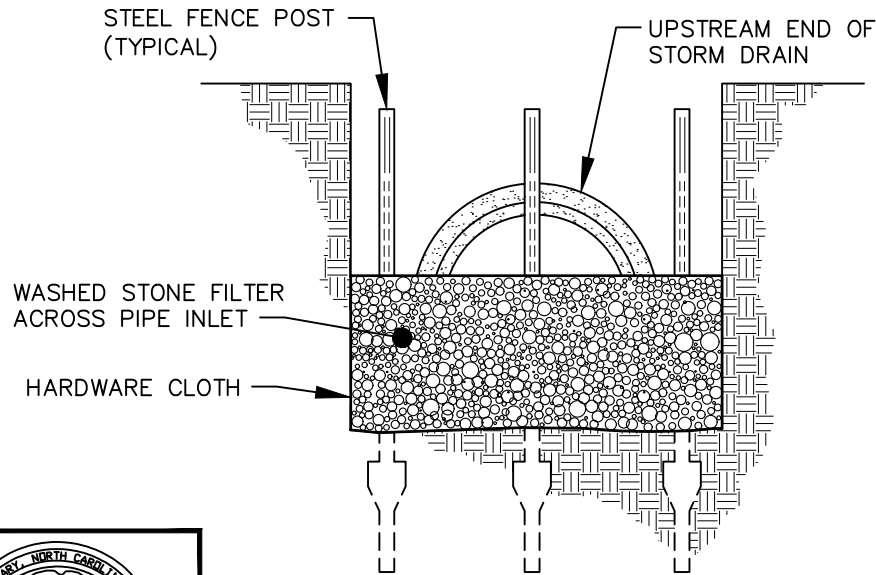


PLYWOOD INLET PROTECTION

NOTE:
 ALL PARTIALLY COMPLETED STORM DRAINS, UP TO 24 INCH PIPE SIZE, SHALL BE PROTECTED AT THE END OF EACH DAY IN ACCORDANCE WITH THESE DETAILS.



STONE FILTER INLET PROTECTION

STANDARD PIPE INLET PROTECTION (PLYWOOD & STONE)



EFFECTIVE: 01/05/17

DETAIL No.

04000.12

SHEET 1 OF 1