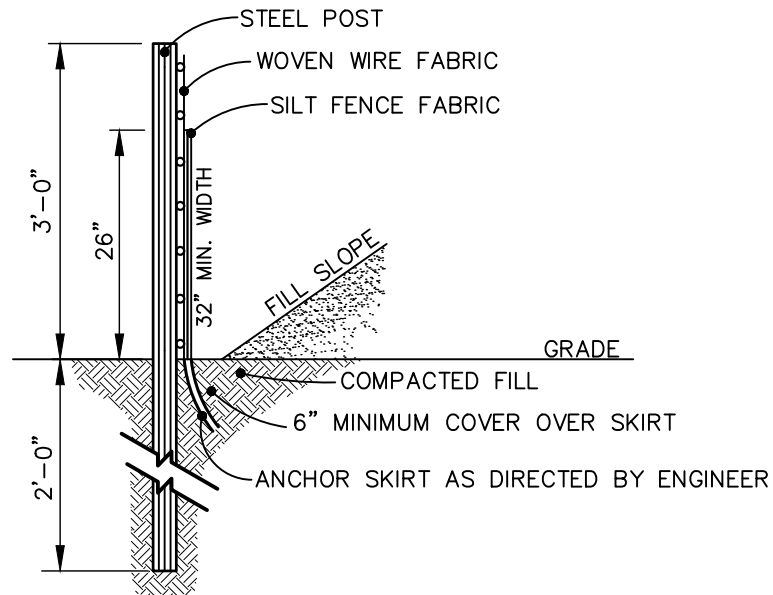


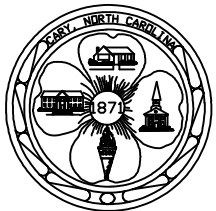
FRONT VIEW



SIDE VIEW

NOTES:

- 1) USE SILT FENCE ONLY WHEN DRAINAGE AREA DOES NOT EXCEED 1/4 ACRE PER 100 ft. OF FENCE AND NEVER IN AREAS OF CONCENTRATED FLOW.
- 2) OVERLAP 12 INCHES WHEN SPLICING FABRIC.
- 3) FOR REPAIR OF SILT FENCE FAILURES USE DETAIL 04000.23.



EFFECTIVE: 01/05/17

STANDARD TEMPORARY SILT FENCE

DETAIL No.

04000.01

SHEET 1 OF 1