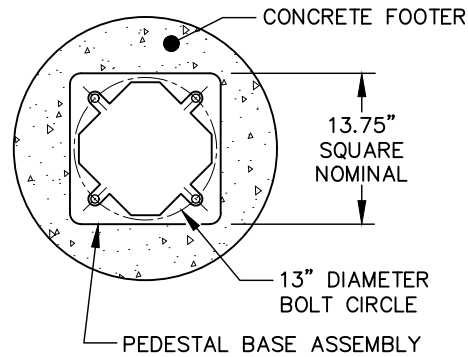


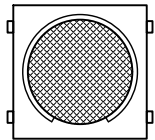
BASE PLATE DETAIL

(PLAN VIEW)



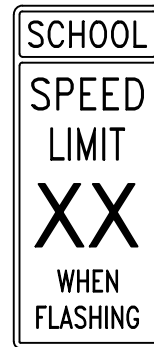
SIGNAL HEAD DETAIL

(FRONT VIEW)



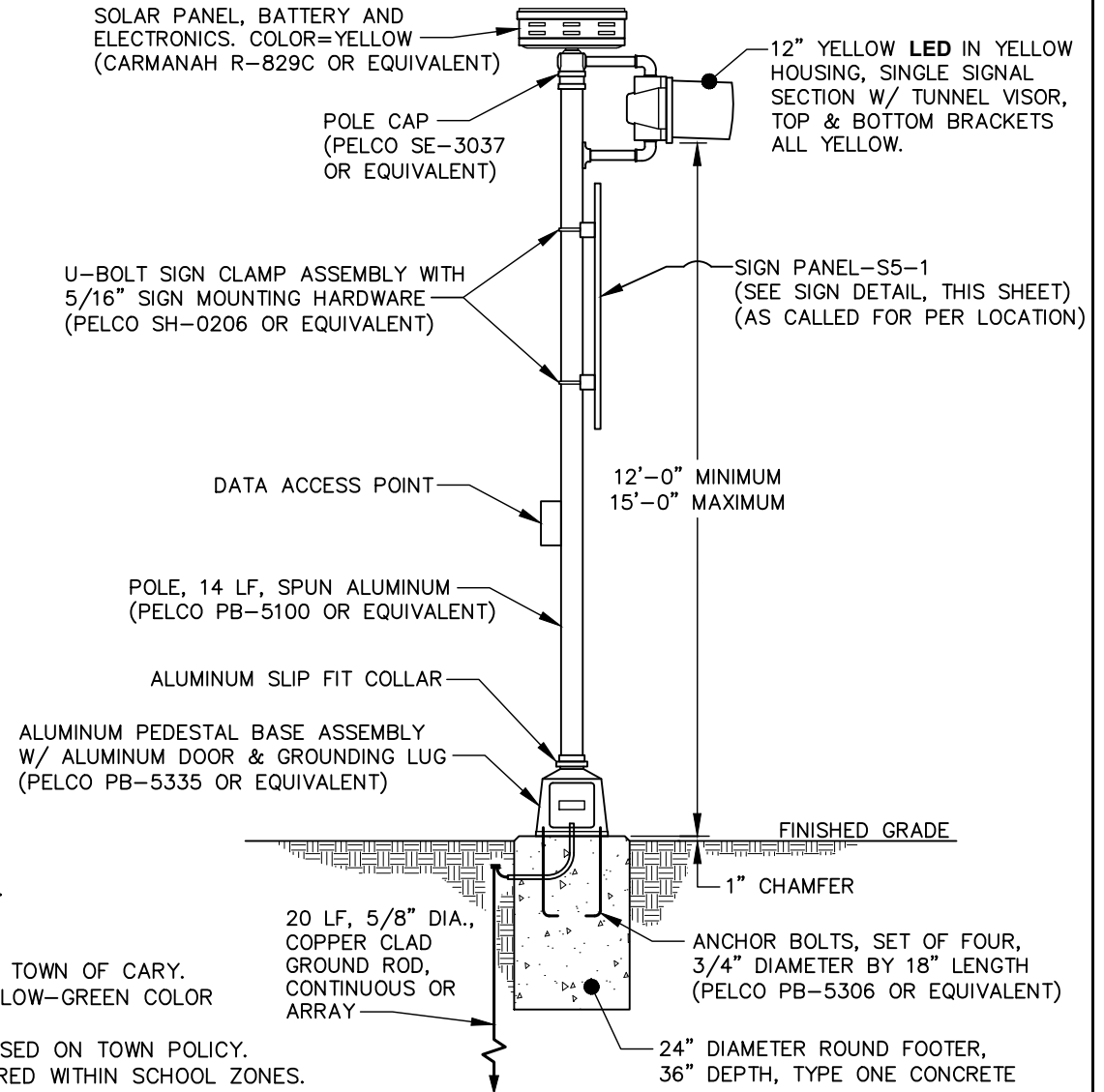
12" YELLOW LED WITH TUNNEL VISOR

SIGN DETAIL



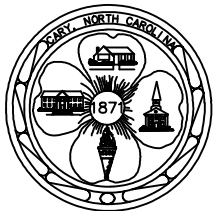
S5-1
24"X48"

SOLAR POWERED SCHOOL BEACON



NOTES:

1. ALL FASTENERS SHALL BE STAINLESS STEEL.
2. SIGNAL INDICATIONS SHALL BE LED TYPE.
3. CONTRACTOR SHALL NOTIFY TOWN OF CARY PRIOR TO CONSTRUCTION.
4. INSTALL BEACON OUTSIDE OF CLEAR ZONE.
5. NO SIDEWALK OBSTRUCTIONS PERMITTED TO HEIGHT OF 7 FEET.
6. ASSEMBLY SHALL MATCH OTHERS WITHIN THE TOWN OF CARY.
7. ALL SCHOOL SIGNS SHOULD USE STRONG YELLOW-GREEN COLOR WHERE APPLICABLE.
8. SPEED LIMIT ON S5-1 TO BE DETERMINED BASED ON TOWN POLICY.
9. SEE TOWN POLICY 153 FOR ALL SIGNS REQUIRED WITHIN SCHOOL ZONES.



EFFECTIVE: 01/05/17

SCHOOL SPEED LIMIT FLASHER ASSEMBLY

DETAIL No.

03000.20

SHEET 2 OF 2