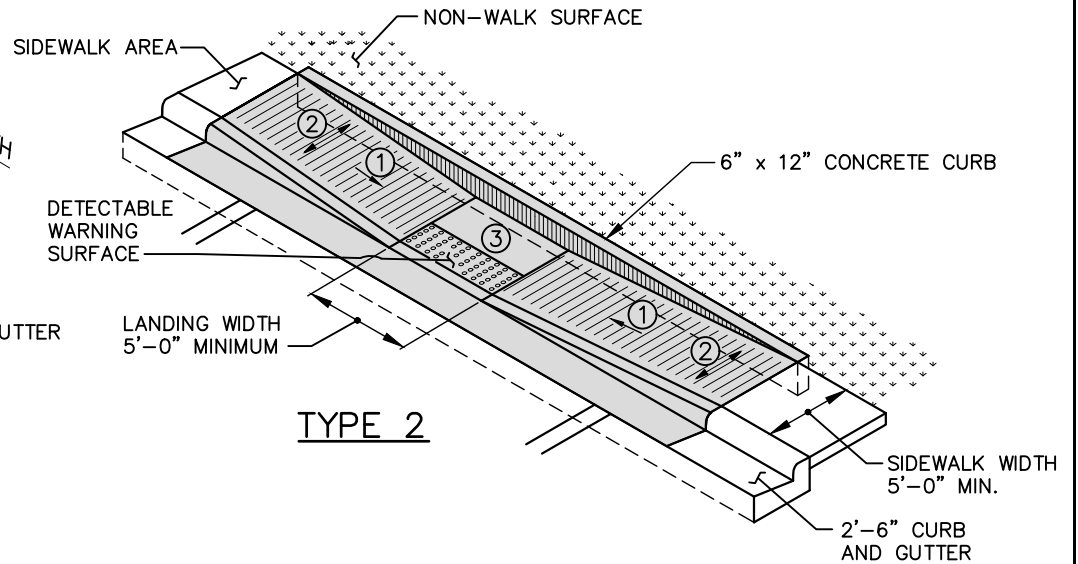
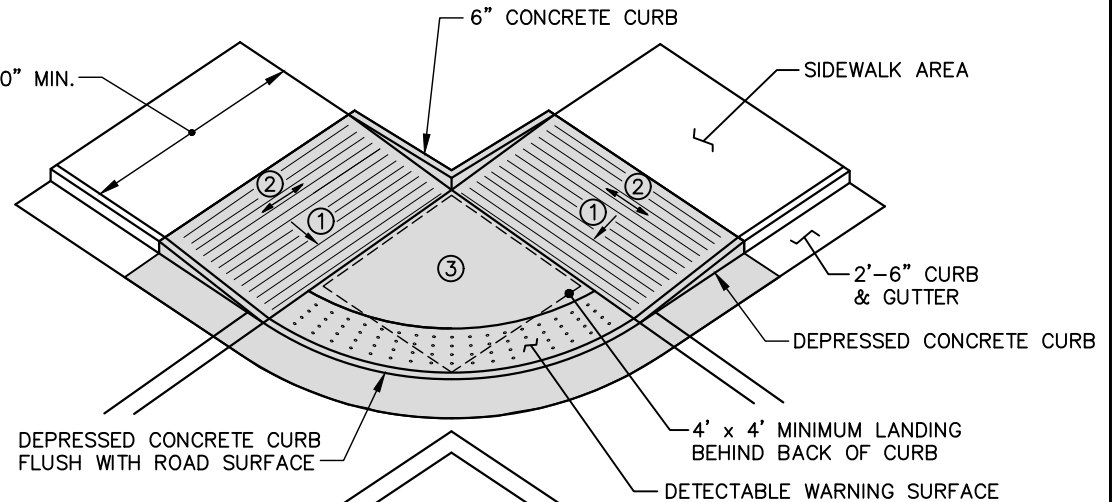


**TYPE 3**



**TYPE 2**



**TYPE 2A**

 PAY LIMITS FOR 1 CURB RAMP

- ① 8.33% (12:1) MAX RAMP SLOPE
- ② CROSS SLOPE: 2.00%
- ③ CURB RAMPS REQUIRE A 4 FOOT MINIMUM LANDING WITH A MAXIMUM CROSS SLOPE AND LONGITUDINAL SLOPE OF 2.00% WHERE PEDESTRIANS PERFORM TURNING MANEUVERS. SLOPE TO DRAIN TO CURB.

**NOTE:**  
REFER TO STANDARD DETAIL 03000.14, SHEET 3 of 3 ALL RAMP NOTES



**ALTERNATIVE CURB RAMPS - PARALLEL RAMPS**

EFFECTIVE: 01/05/17

DETAIL No.

03000.16

SHEET 3 OF 4