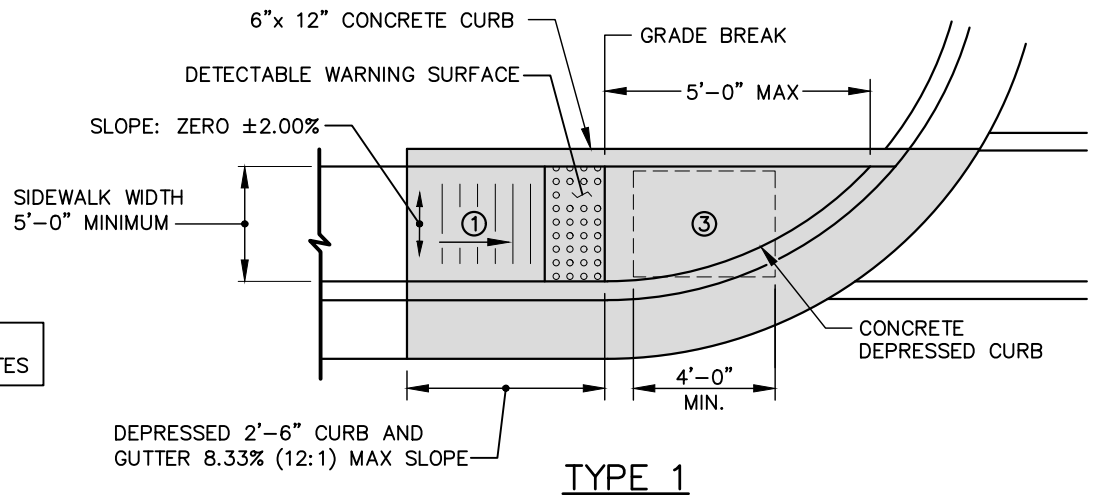


 PAY LIMITS FOR 1 CURB RAMP

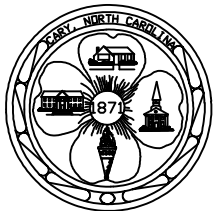
- ① 8.33% (12:1) MAX RAMP SLOPE
- ② CROSS SLOPE: 2.00%
- ③ CURB RAMPS REQUIRE A 4 FOOT MINIMUM LANDING WITH A MAXIMUM CROSS SLOPE AND LONGITUDINAL SLOPE OF 2.00% WHERE PEDESTRIANS PERFORM TURNING MANEUVERS. SLOPE TO DRAIN TO CURB.

NOTE:
REFER TO STANDARD DETAIL 03000.14, SHEET 3 of 3 FOR ALL RAMP NOTES



TYPE 1 NOTES:

- 1. ON LANDINGS AND FLUSH TRANSITIONS AT RADIUS RETURNS: ROWS OF DOMES ARE NOT REQUIRED TO BE ALIGNED WITH THE CENTERLINE OF THE RAMP.
- 2. DETECTABLE WARNINGS MAY BE PLACED PERPENDICULAR ACROSS THE BOTTOM OF THE CURB RAMP, BUT ONLY IF THE BOTTOM OF THE CURB RAMP IS NO MORE THAN 5 FEET FROM THE BACK OF CURB.



EFFECTIVE: 01/05/17

ALTERNATIVE CURB RAMPS - DIRECTIONAL RAMPS

DETAIL No.

03000.16

SHEET 1 OF 4