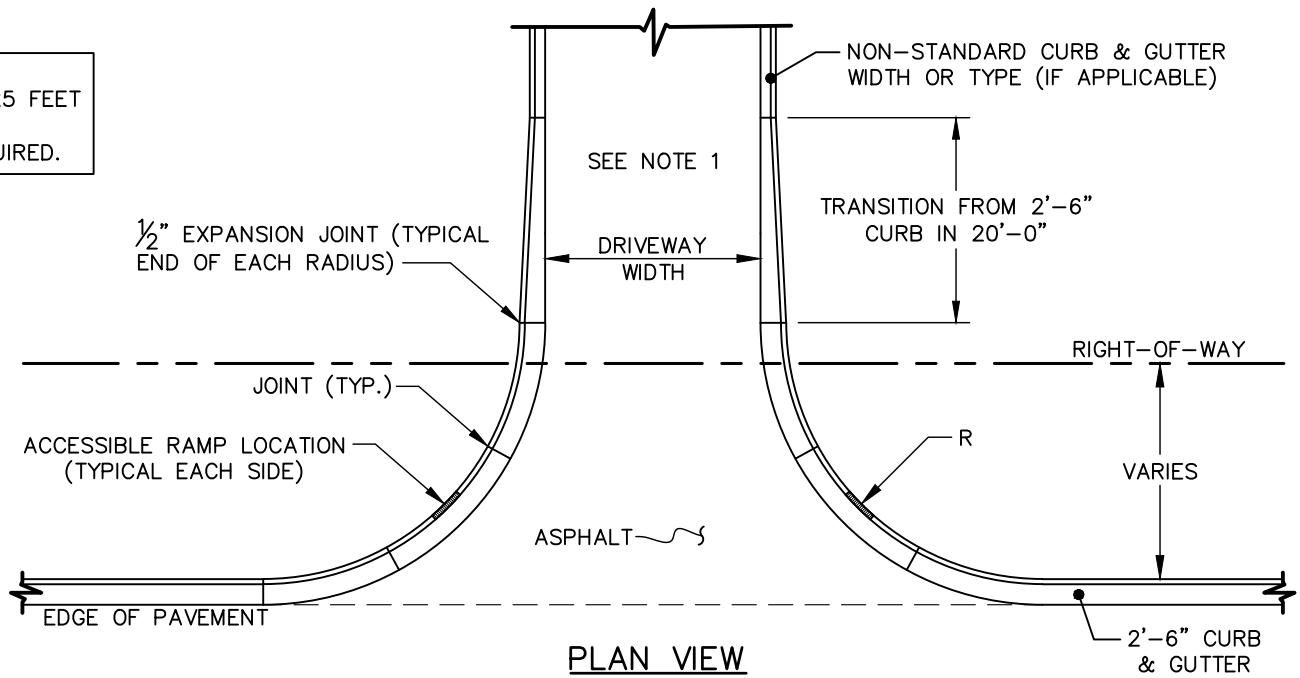


NOTE:
 DRIVEWAY GRADE SHOULD RISE FROM THE GUTTER LINE TO PREVENT RUNOFF FROM ENTERING DRIVEWAY, UNLESS CATCH BASINS IN STREET ARE PROVIDED TO CAPTURE THE RUNOFF.

NOTES:
 1. PAVING MUST EXTEND INTO SITE AT LEAST 25 FEET FROM EDGE OF PAVEMENT.
 2. ACCESSIBLE RAMPS PER CURB RETURN REQUIRED.



DRIVEWAY ENTRANCE & GRADES - TYPE III

DETAIL No.

03000.13
 SHEET 3 OF 4

EFFECTIVE: 01/05/17