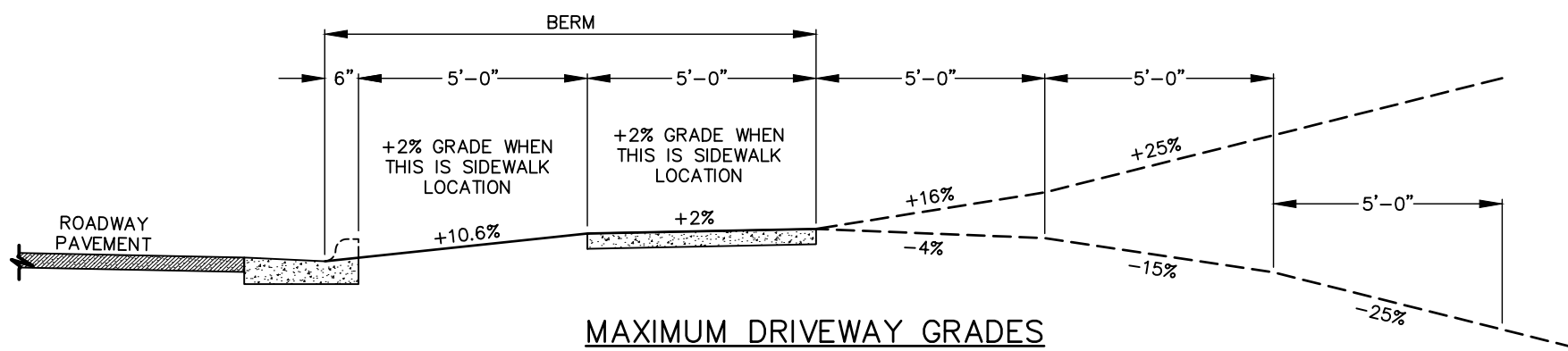


DESIRABLE DRIVEWAY GRADES



MAXIMUM DRIVEWAY GRADES



EFFECTIVE: 01/05/17

DRIVEWAY APRON - TYPE I & II  
DRIVEWAY GRADES

DETAIL No.

03000.13  
SHEET 2 OF 4