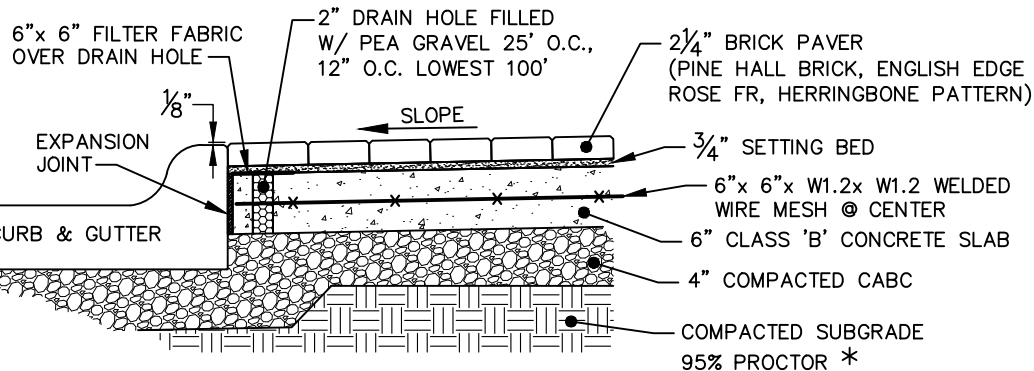
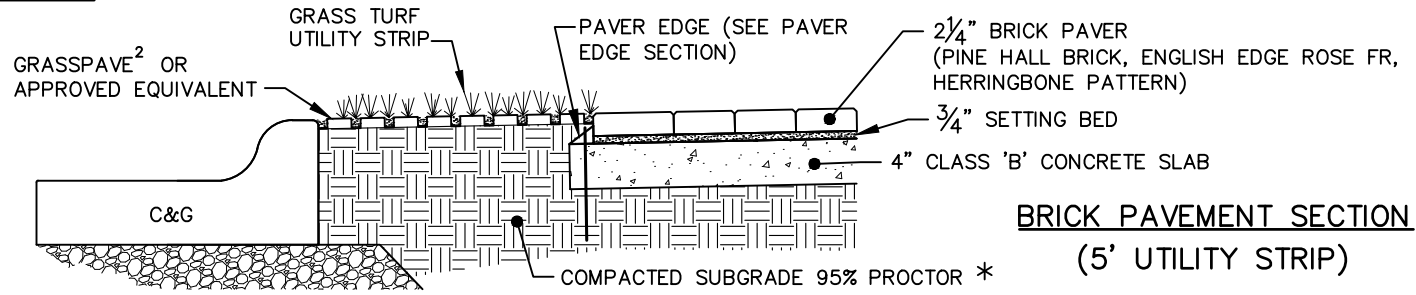
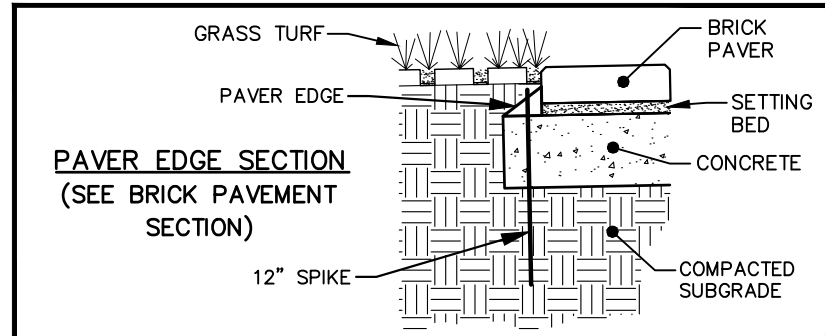
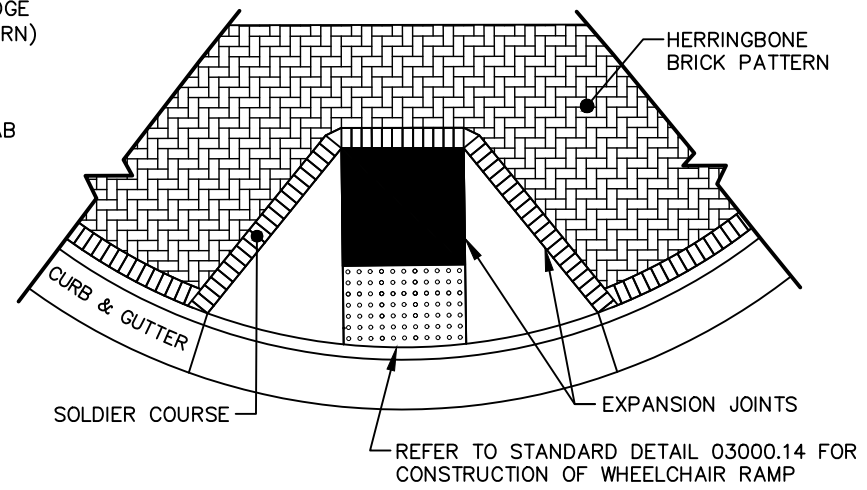


**BRICK SIDEWALK SECTION  
LIGHT DUTY**



**BRICK SIDEWALK SECTION  
HEAVY DUTY**

**WHEELCHAIR RAMP - PLAN VIEW**



**BRICK PAVEMENT SECTION  
(5' UTILITY STRIP)**



EFFECTIVE: 01/05/17

**STANDARD BRICK PAVERS OR CONCRETE PAVERS SIDEWALK**

DETAIL No.  
**03000.07**  
SHEET 2 OF 2